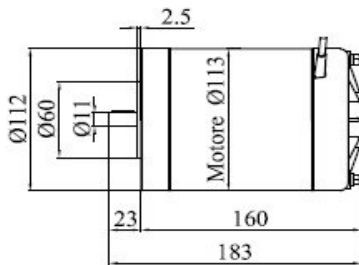
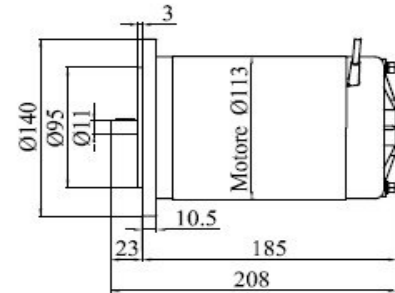


Ø113mm 400W

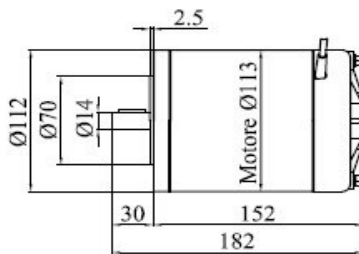
B14 BN63 - NV



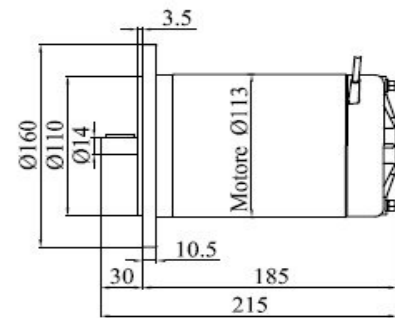
B5 BN63 - NV



B14 BN71 - NV



B5 BN71 - NV



400W MAGNETI PERMANENTI – PERMANENT MAGNETS

Tensione Voltage	Giri Round	Coppia Torque
V	Rpm	Nm
12	1600	2.4
24	1600	2.4
36	1600	2.4
48	1600	2.4