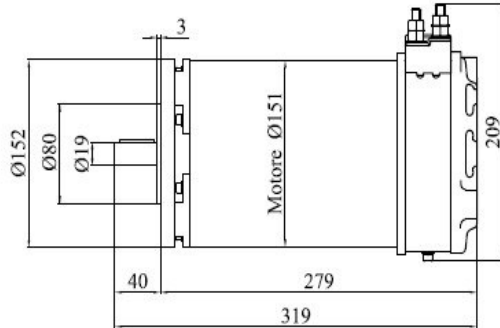
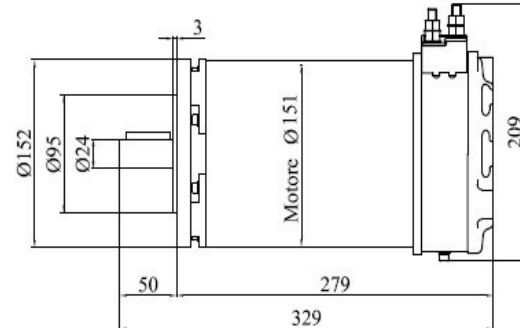


Ø151mm 1000 ÷ 2000W

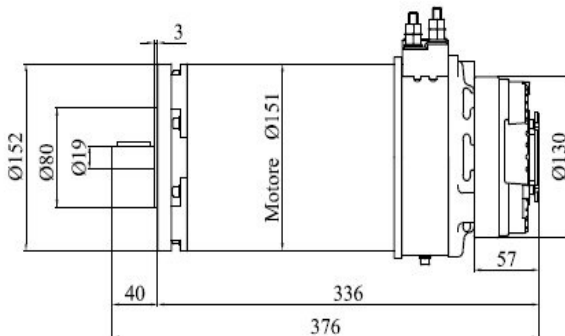
B14 BN80 - NV



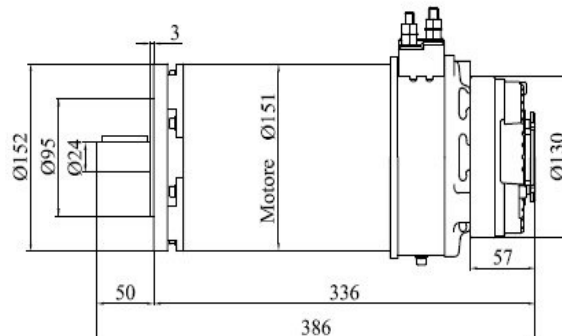
B14 BN90 - NV



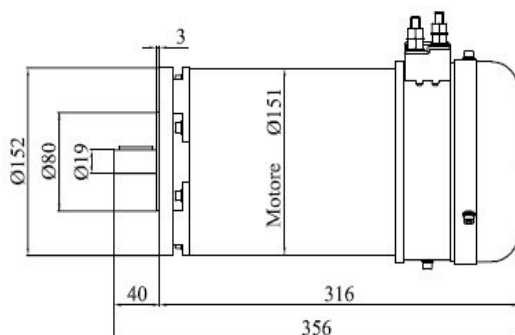
B14 BN80 - NV - FMT



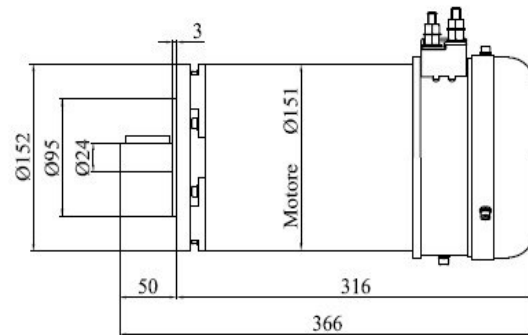
B14 BN90 - NV - FMT



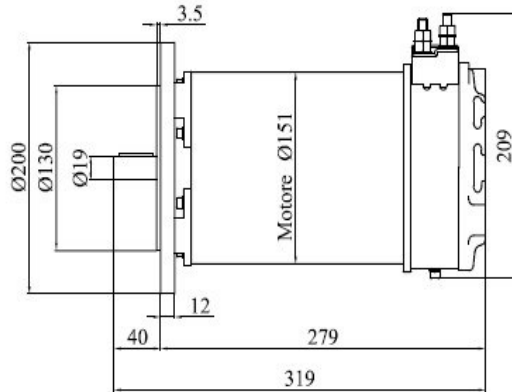
B14 BN80 - VE1



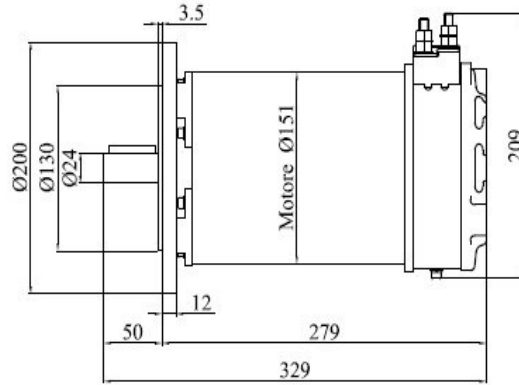
B14 BN90 - VE1



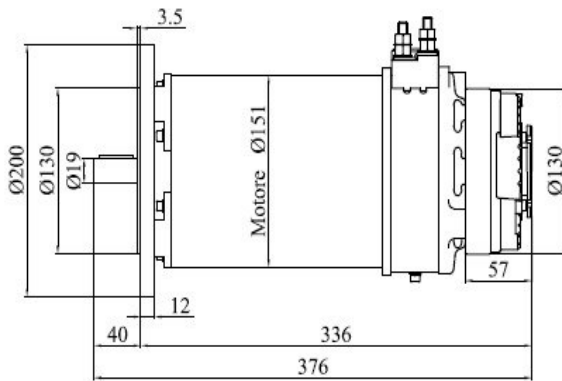
B5 BN80 - NV



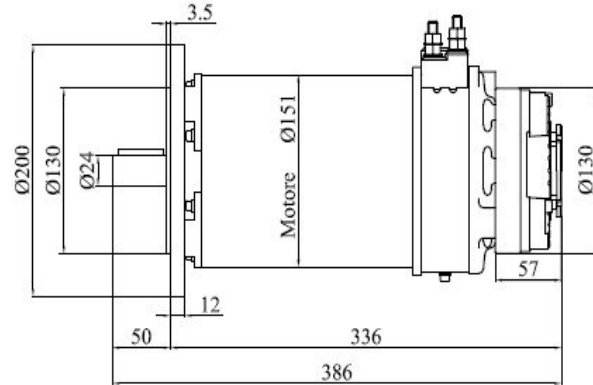
B5 BN90 - NV



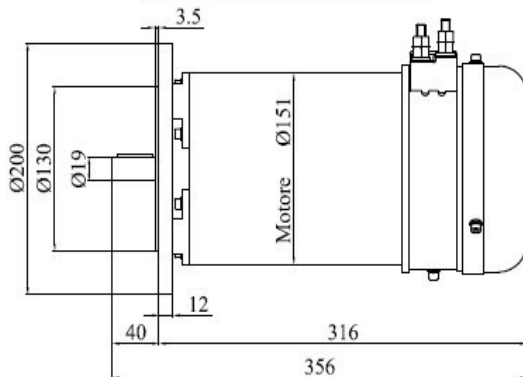
B5 BN80 - NV - FMT



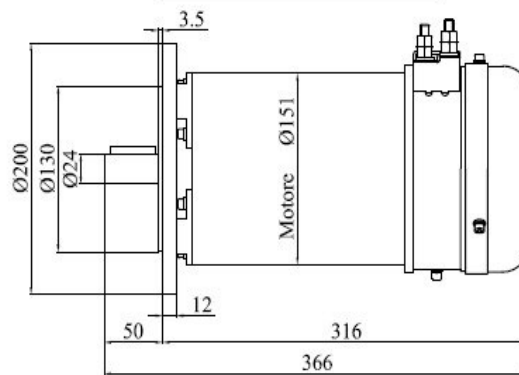
B5 BN90 - NV - FMT



B5 BN80 - VE1



B5 BN90 - VE1





D.C. MOTORS

1000W ECCITAZIONE IN SERIE – SERIES EXCITATION

Tensione Voltage	Giri Round	Coppia Torque
V	Rpm/min	Nm
12	1500	6.4
24	1400	6.8
36	1500	6.4
48	1800	6.8

2000W ECCITAZIONE IN SERIE – SERIES EXCITATION

Tensione Voltage	Giri Round	Coppia Torque
V	Rpm	Nm
24	2000	9.5
36	1800	10.6
48	2000	9.5

A richiesta i motori possono essere disponibili con eccitazione separata, composta o parallela.
On request motors are available with separate, compound or shunt excitation.

1000W MAGNETI PERMANENTI – PERMANENT MAGNETS

Tensione Voltage	Giri Round	Coppia Torque
V	Rpm	Nm
12	1500	6.4
24	1400	6.8
36	1500	6.4
48	1800	6.8