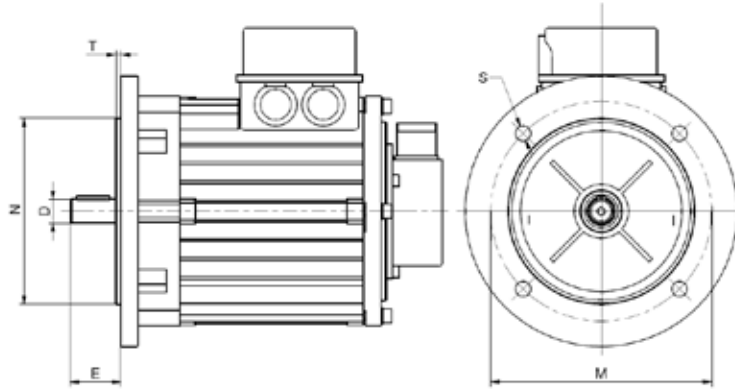


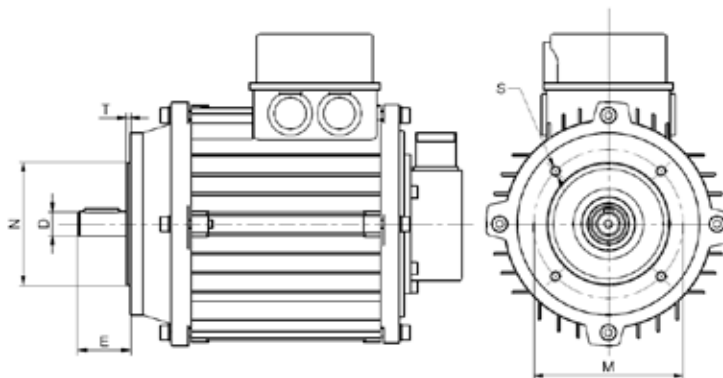
AC FLANGES

B5



MOTORE / MOTOR			FLANGIA / FLANGE				ALBERO / SHAFT	
TIPO FLANGIA TYPE FLANGE	POTENZA POWER	Ø STATORE Ø STATOR	N	M	T	S	D	E
BN 63	0.3-0.4 kW	90	95	115	3	9	11	23
BN 71	0.5-0.8 kW	106.5-110	110	130	3.5	9	14	30
BN 80	1-1.5 kW	110-125	130	165	3.5	11	19	40
BN 90	1.5-2 kW	135	130	165	3.5	11	24	50
BN 100	2.5-5 kW	152-173	180	215	4	14	28	60
BN 132	5-10 kW	200	230	265	4	14	38	80

B14



MOTORE / MOTOR			FLANGIA / FLANGE				ALBERO / SHAFT	
TIPO FLANGIA TYPE FLANGE	POTENZA POWER	Ø STATORE Ø STATOR	N	M	T	S	D	E
BN 63	0.3-0.4 kW	90	60	75	2.5	M5	11	23
BN 71	0.5-0.8 kW	106.5-110	70	85	2.5	M6	14	30
BN 80	1-1.5 kW	110-125	80	100	3	M6	19	40
BN 90	1.5-2 kW	135	95	115	3	M8	24	50
BN 100	2.5-5 kW	152-173	110	130	3.5	M8	28	60
BN 132	5-10 kW	200	130	165	4.0	M10	38	80