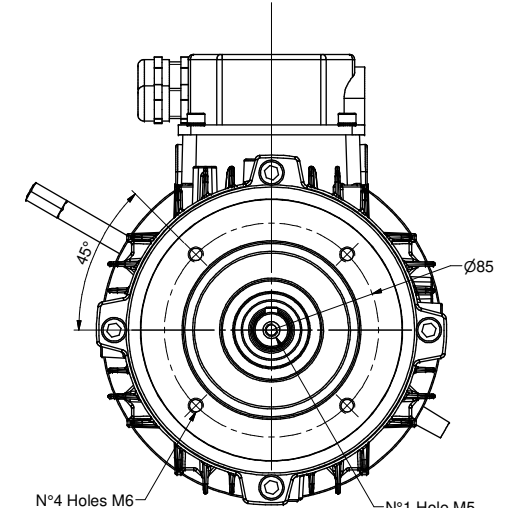
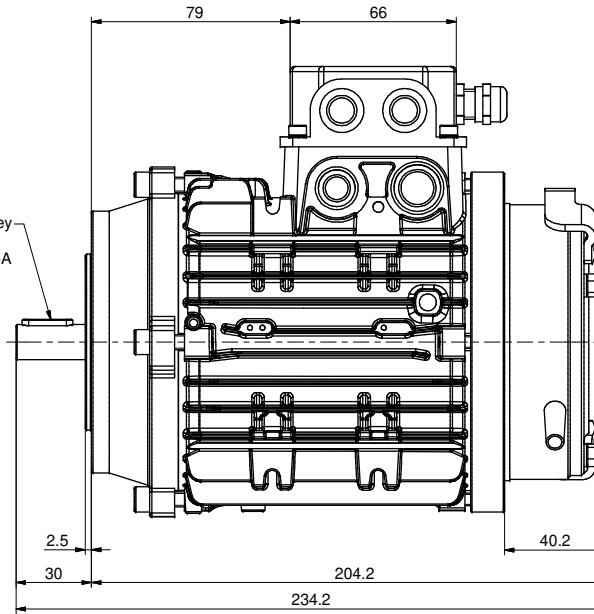


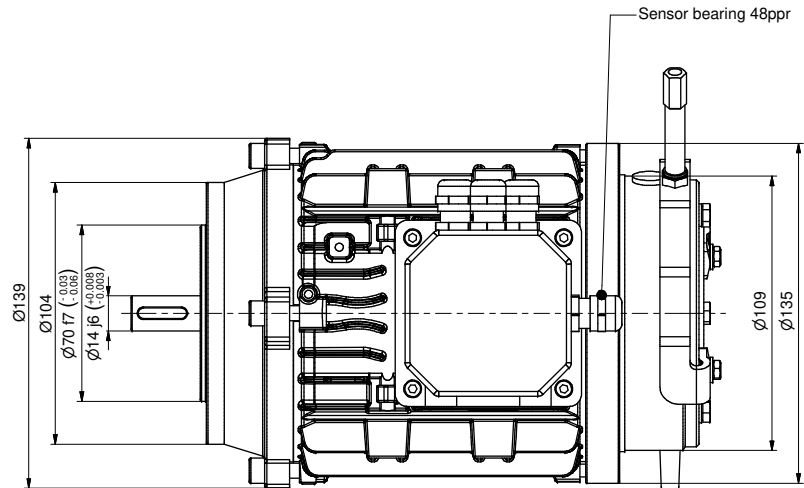
10Nm e/m brake
with hand release lever

Feather key
5x5x20
UNI 6604-A



N°4 Holes M6
at 90°
useful 12

N°1 Hole M5
useful 15



Sensor bearing 48ppr