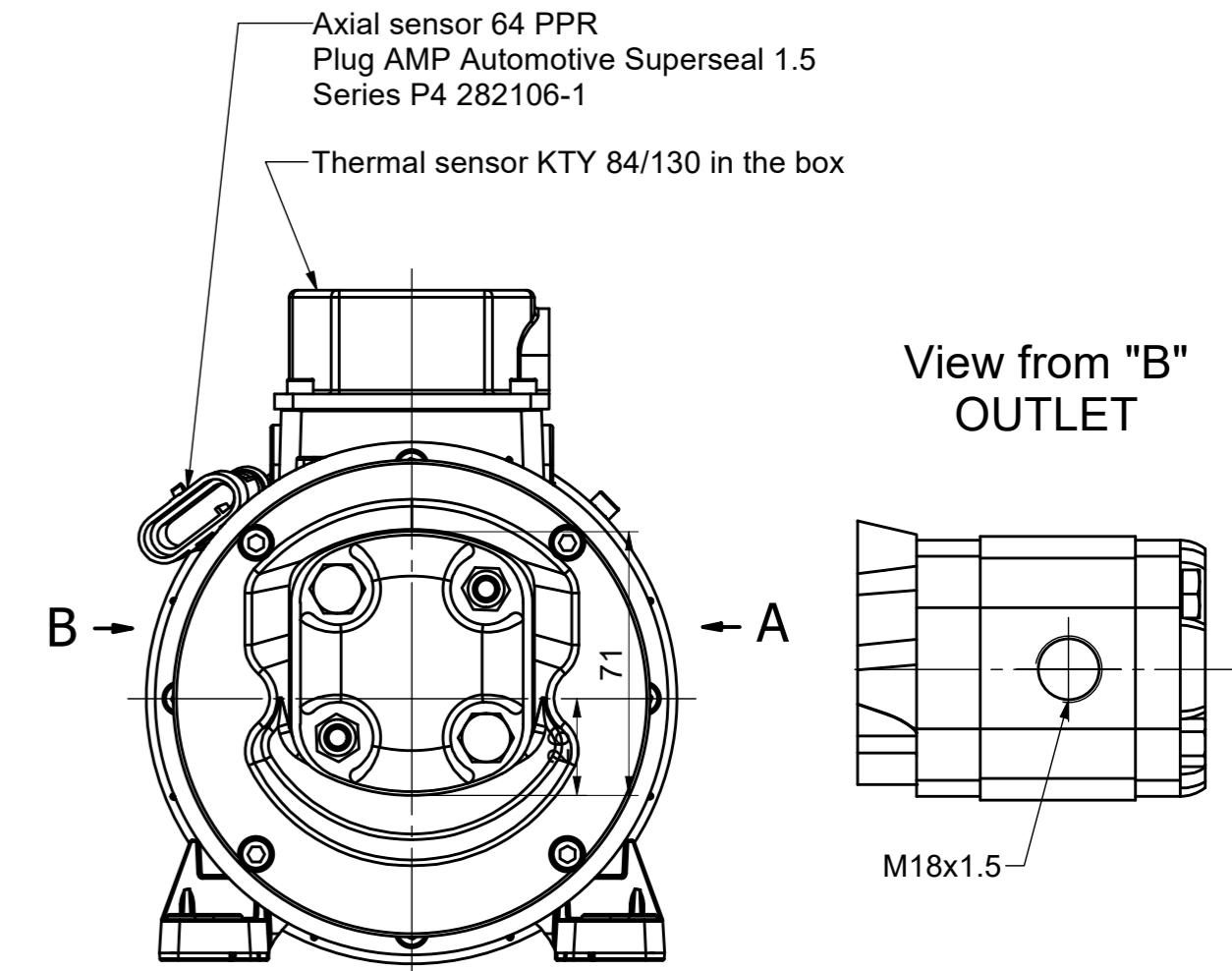
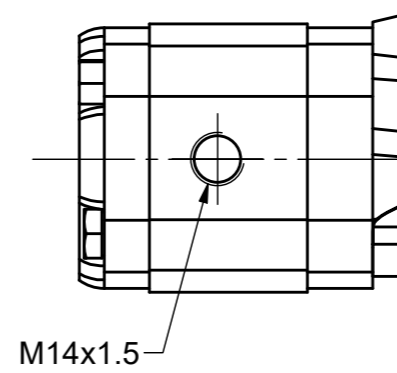


View from "A"
INLET



Displacement	Flow (at 1500 rpm)	Max pressure			Max speed	Dimensions		
		p _{continuous}	p _{intermittent}	p _{peak}		A	B	C
[cm ³ /rev]	[litres/min]	[bar]	[bar]	[bar]	[rpm]	[mm]	[mm]	[mm]
1.1	1.6	230	250	270	6000	76	299.5	35
1.6	2.4	230	250	270	6000	78	301.5	36
2.1	3.2	230	250	270	6000	80	303.5	37
3.2	4.8	210	230	250	5000	84	307.5	39
3.7	5.6	210	230	250	4500	86	309.5	40
4.2	6.4	210	230	250	4000	88	311.5	41
5.8	8.7	190	210	230	3000	94	317.5	44
8.0	11.9	160	180	200	2100	102	325.5	48