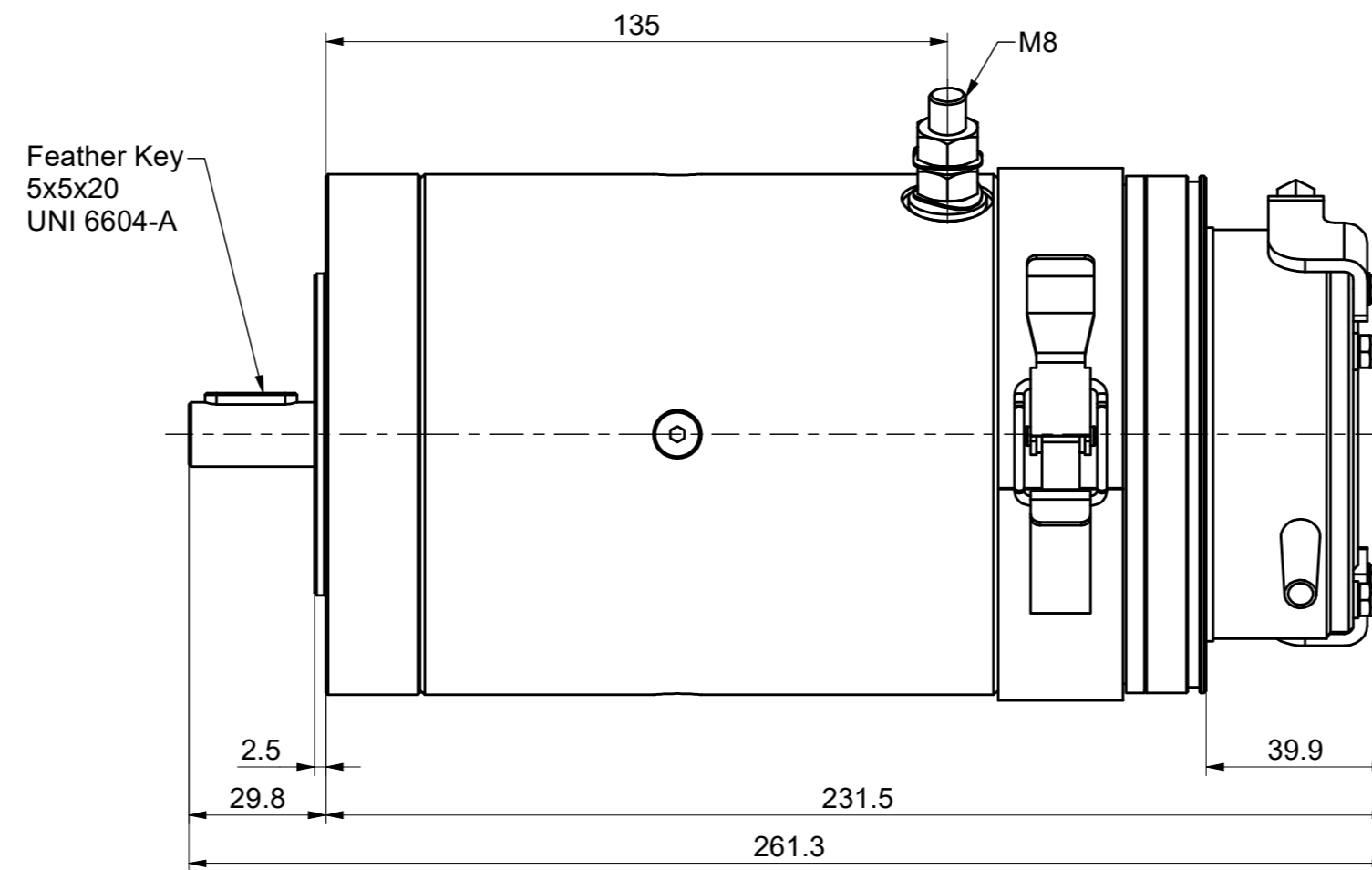
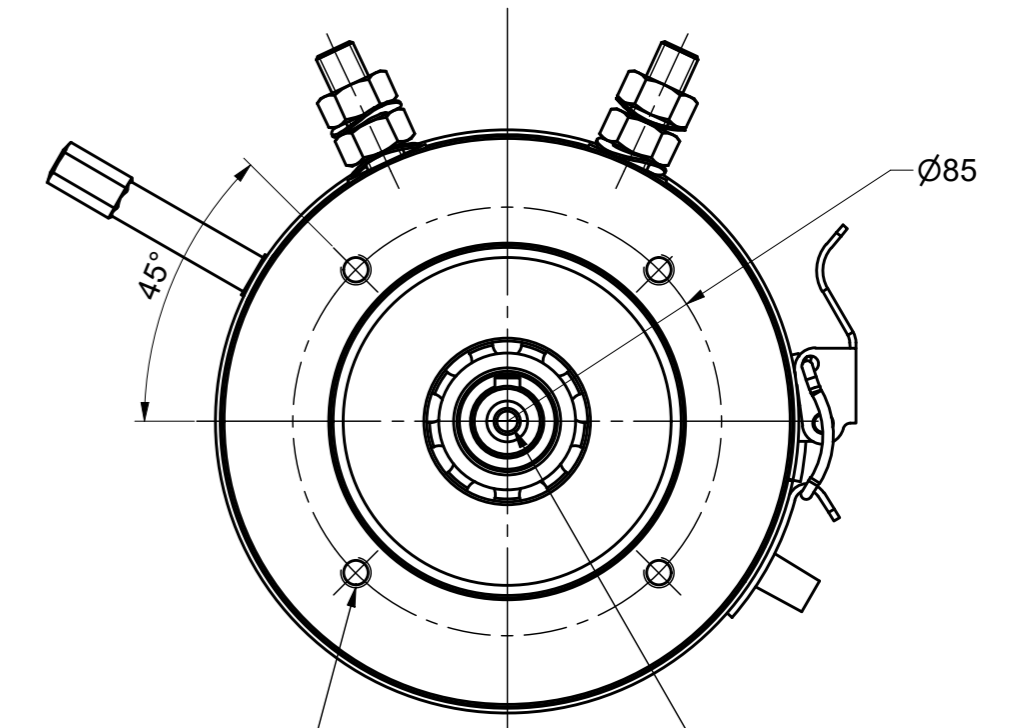


5Nm e/m brake
with hand release lever



Feather Key
5x5x20
UNI 6604-A



N°4 Holes M6
at 90°

