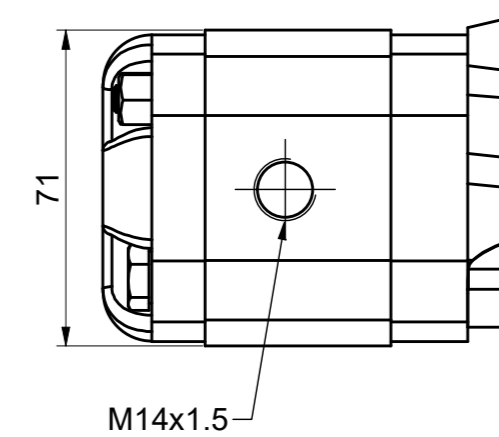
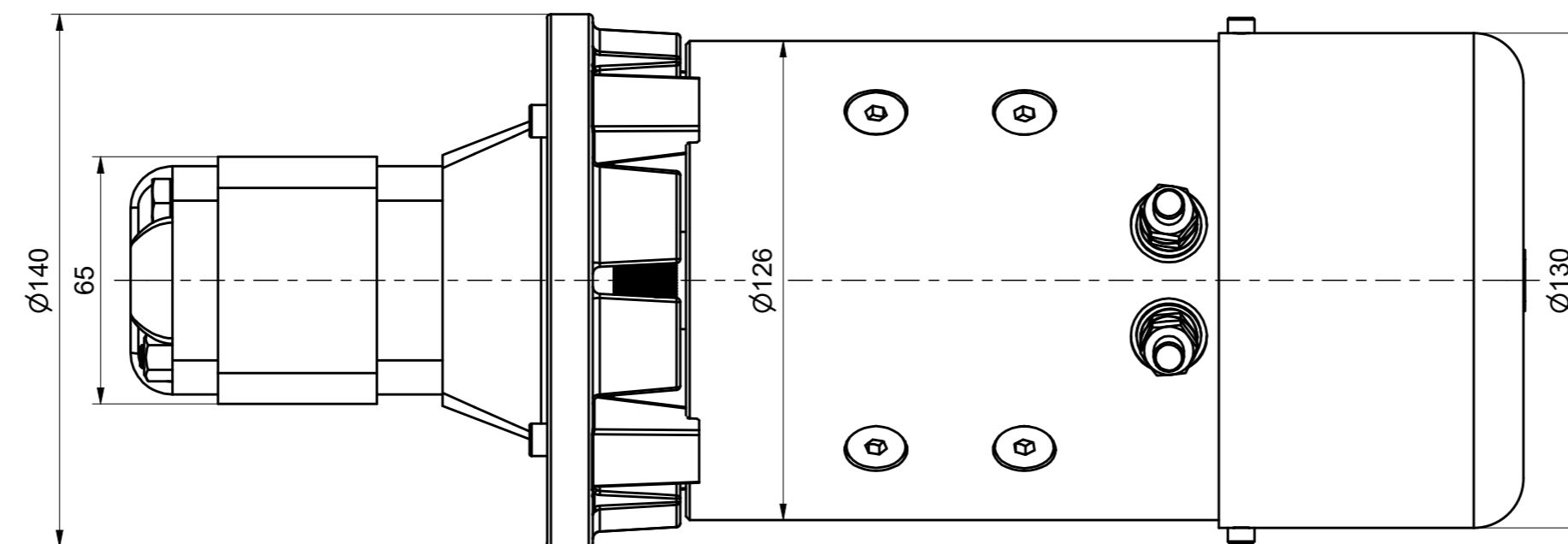
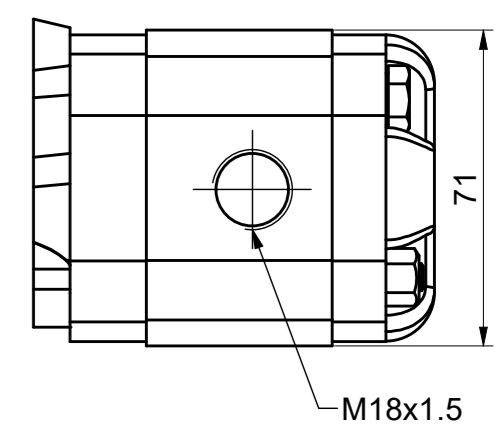


View from "A"
OUTLET



View from "B"
INLET



Displacement [cm ³ /rev]	Flow (at 1500 rpm) [litres/min]	Max pressure			Max speed [rpm]	Dimensions		
		p _{continuous} [bar]	p _{intermittent} [bar]	p _{peak} [bar]		A [mm]	B [mm]	C [mm]
1.1	1.6	230	250	270	6000	76	35	360
1.6	2.4	230	250	270	6000	78	36	362
2.1	3.2	230	250	270	6000	80	37	364
3.2	4.8	210	230	250	5000	84	39	368
3.7	5.6	210	230	250	4500	86	40	370
4.2	6.4	210	230	250	4000	88	41	372
5.8	8.7	190	210	230	3000	94	44	378
8.0	11.9	160	180	200	2100	102	48	386