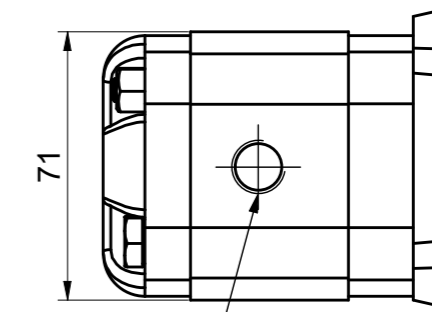
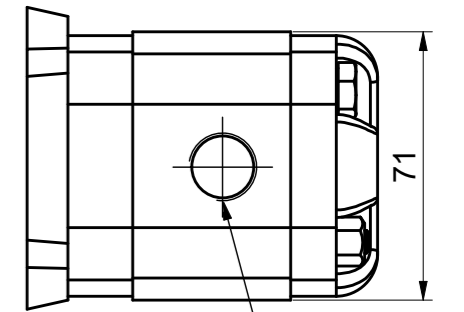


View from "A"  
OUTLET

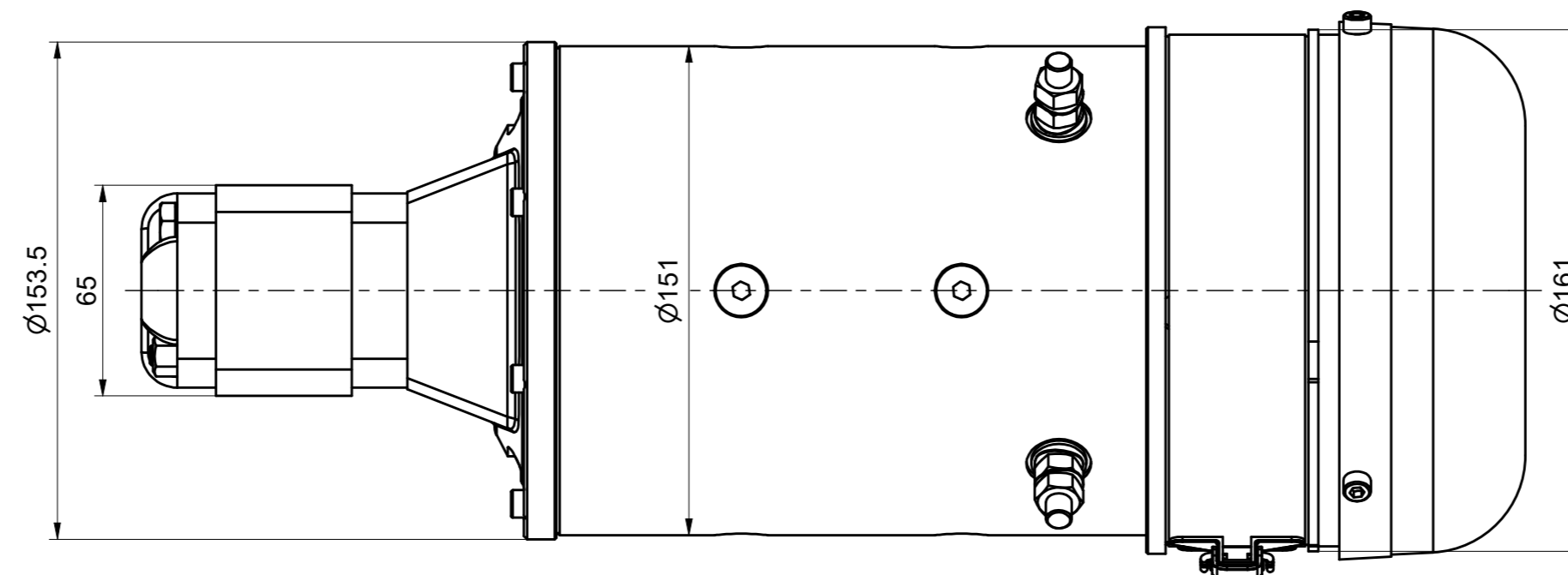


M14x1.5

View from "B"  
INLET



M18x1.5



Displacement [cm <sup>3</sup> /rev]	Flow (at 1500 rpm) [litres/min]	Max pressure			Max speed [rpm]	Dimensions		
		p <sub>continuous</sub> [bar]	p <sub>intermittent</sub> [bar]	p <sub>peak</sub> [bar]		A [mm]	B [mm]	C [mm]
1.1	1.6	230	250	270	6000	76	35	421
1.6	2.4	230	250	270	6000	78	36	423
2.1	3.2	230	250	270	6000	80	37	425
3.2	4.8	210	230	250	5000	84	39	429
3.7	5.6	210	230	250	4500	86	40	431
4.2	6.4	210	230	250	4000	88	41	433
5.8	8.7	190	210	230	3000	94	44	439
8.0	11.9	160	180	200	2100	102	48	447