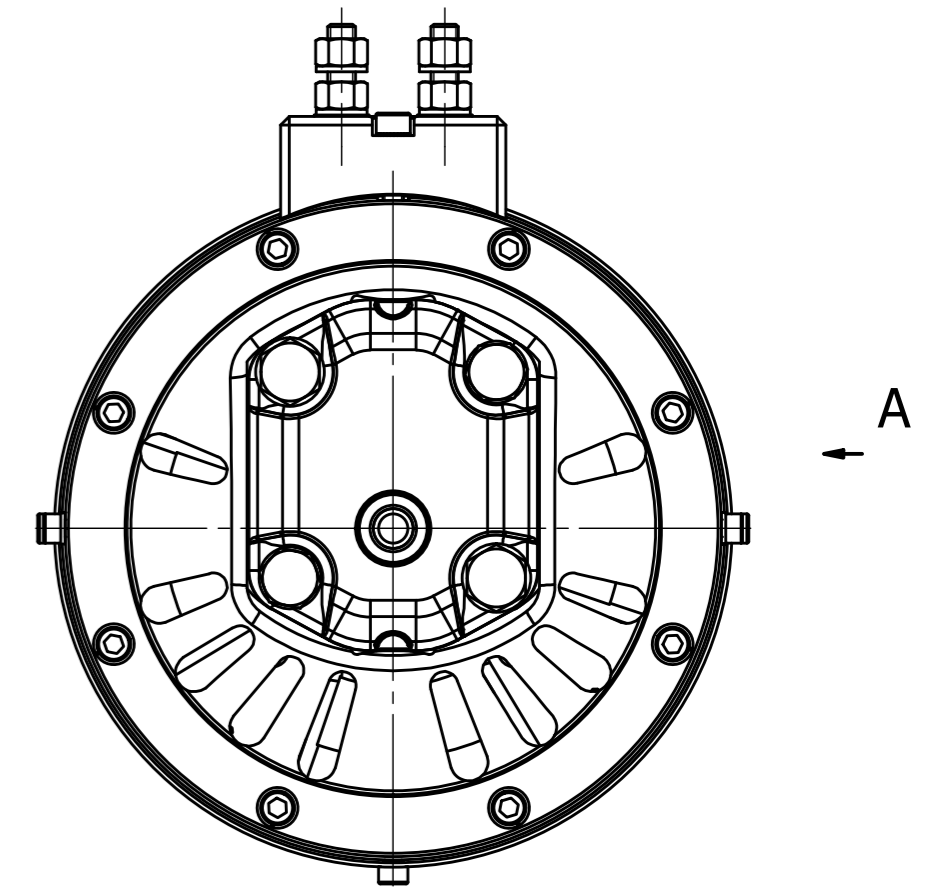
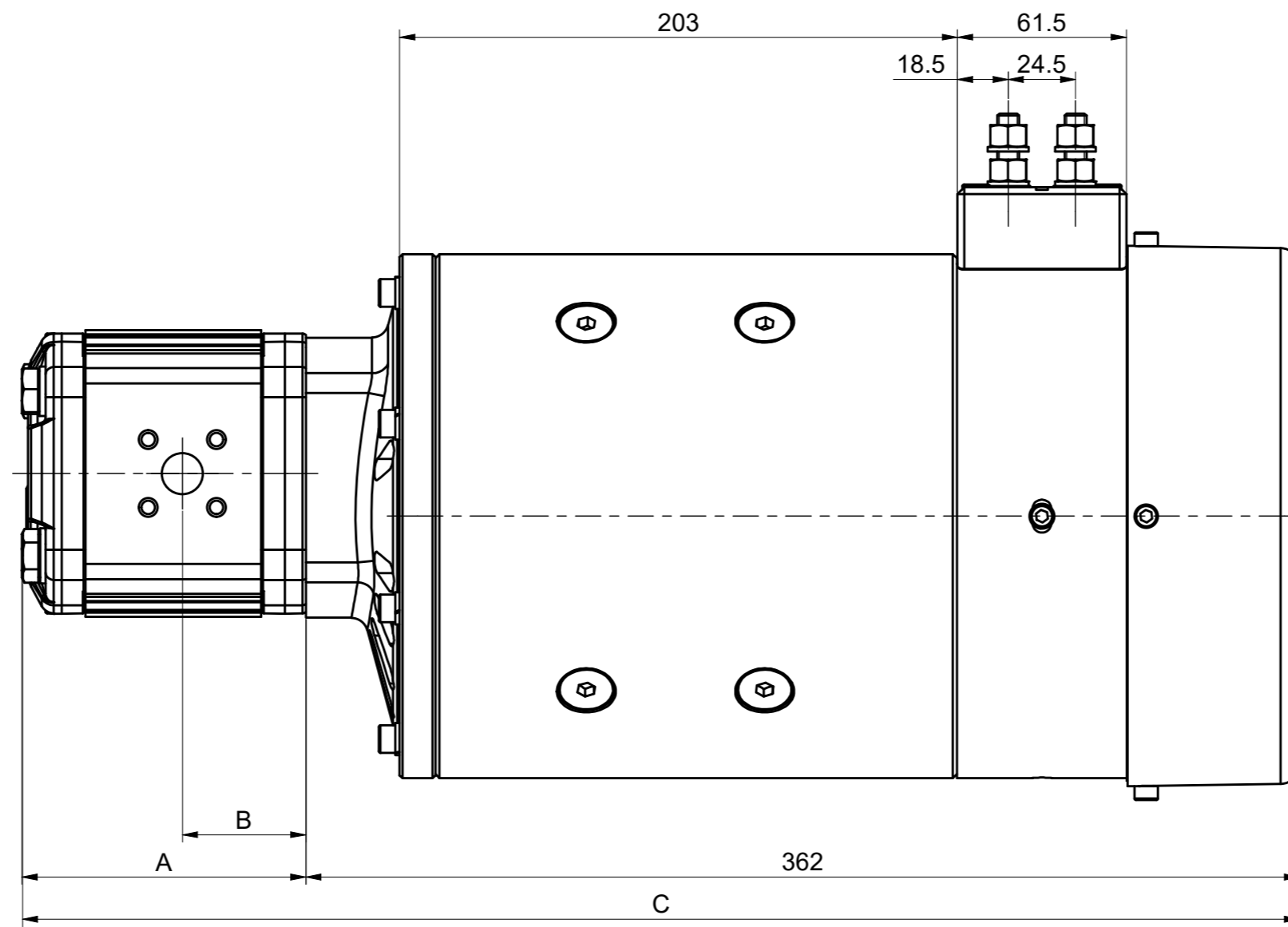
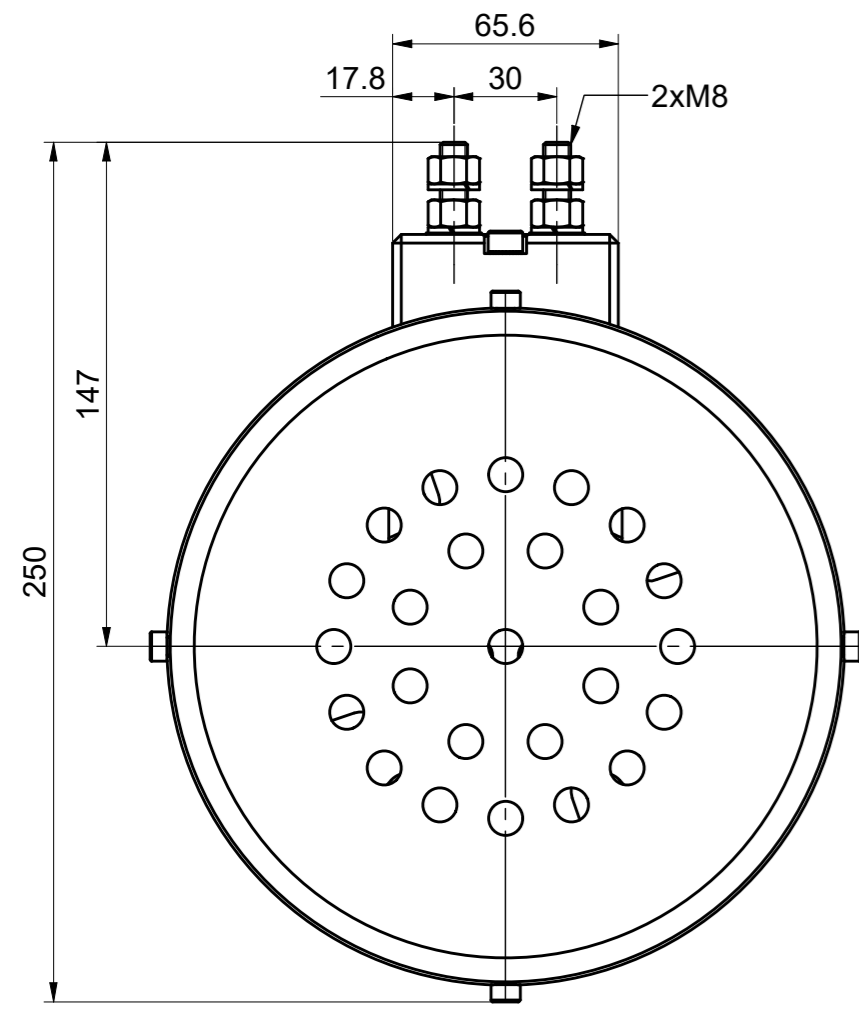
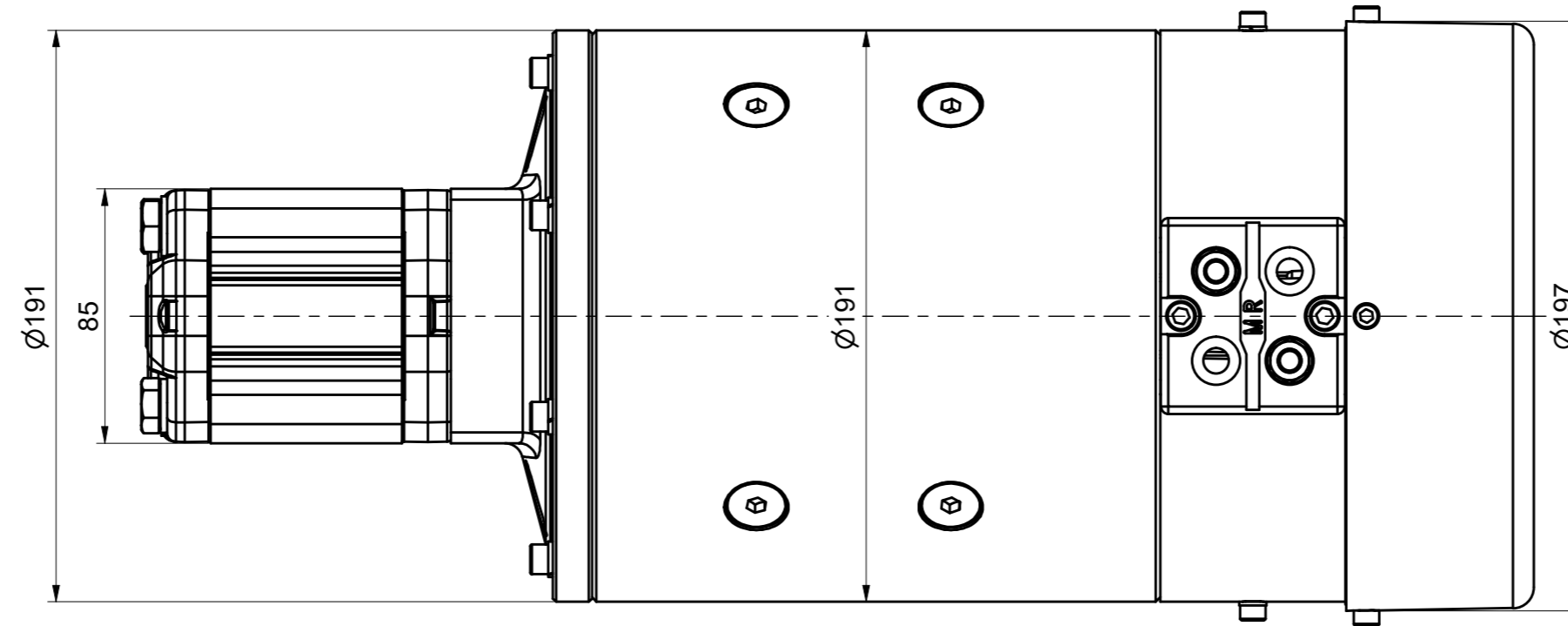
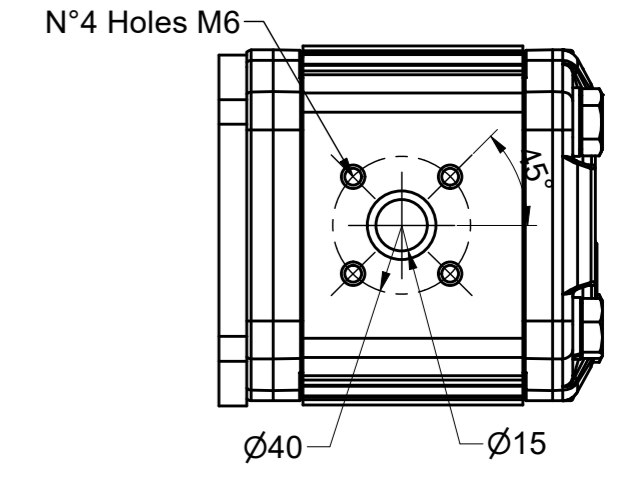
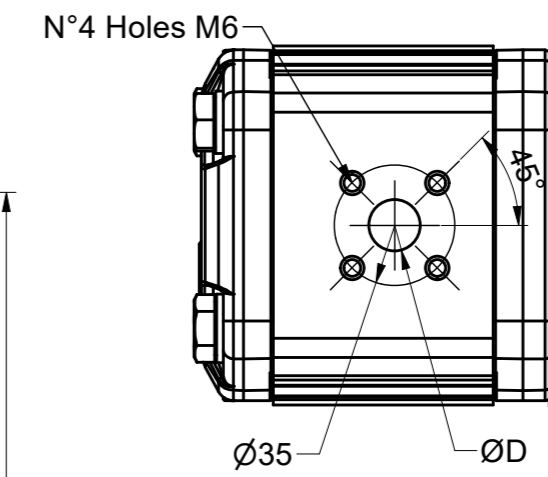


DC MOTORPUMP



View from "A"
OUTLET

View from "B"
INLET



Displacement [cm ³ /rev]	Flow (at 1500 rpm) [litres/min]	Max pressure			Max speed [rpm]	Dimensions			
		p _{continuous} [bar]	p _{intermittent} [bar]	p _{peak} [bar]		A [mm]	B [mm]	C [mm]	D [mm]
4.5	6.4	250	270	290	4000	91	37.3	453	15
6.4	9.1	250	270	290	4000	94	38.5	456	15
8.3	11.8	250	270	290	4000	97	45.8	459	15
9.6	13.7	250	270	290	4000	99	40.6	461	20
11.5	16.4	230	250	270	4000	102	45	464	20
14.1	20.1	230	250	270	4000	106	45	468	20
16.0	22.8	210	225	240	4000	109	45	471	20
21.1	30.1	180	195	210	3400	117	45	479	20
23.7	33.7	180	195	210	3000	121	52.5	483	20