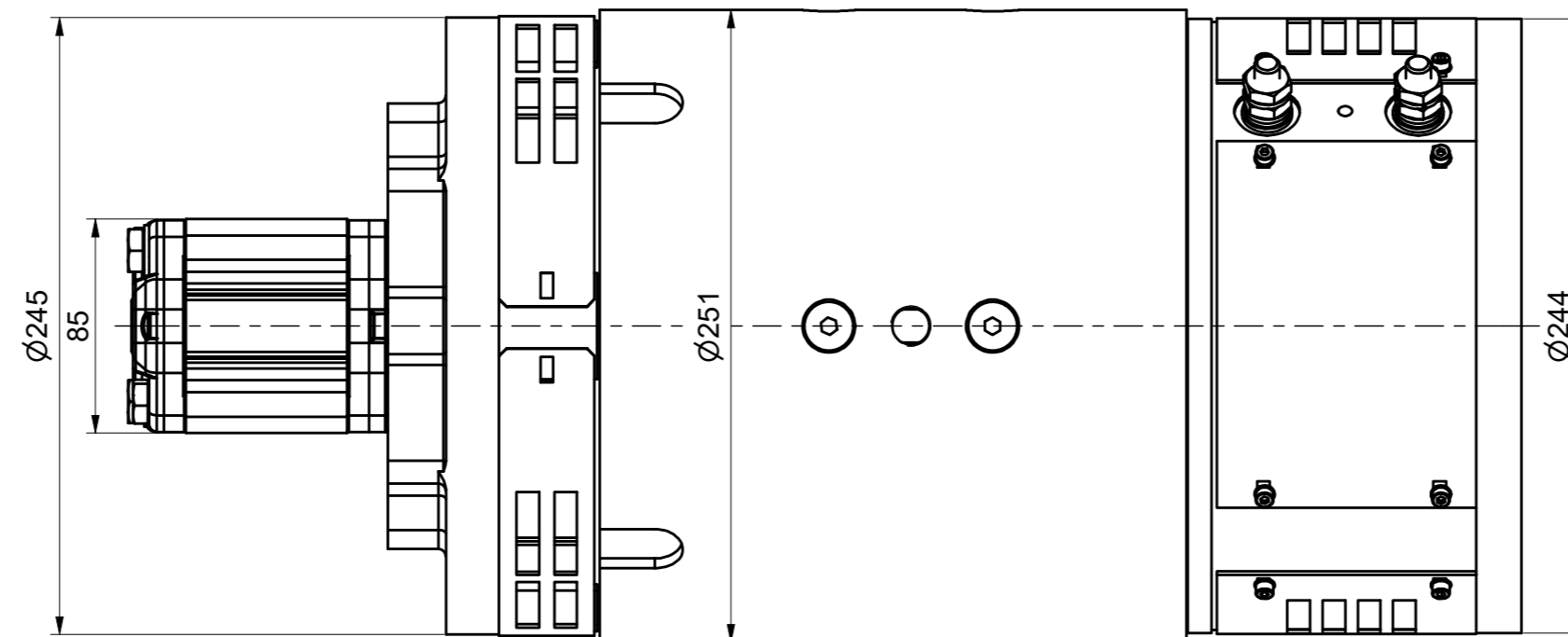
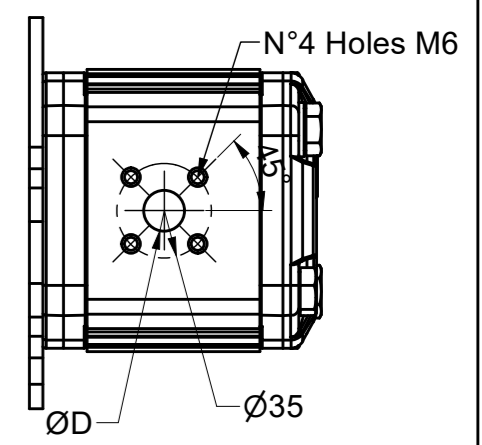
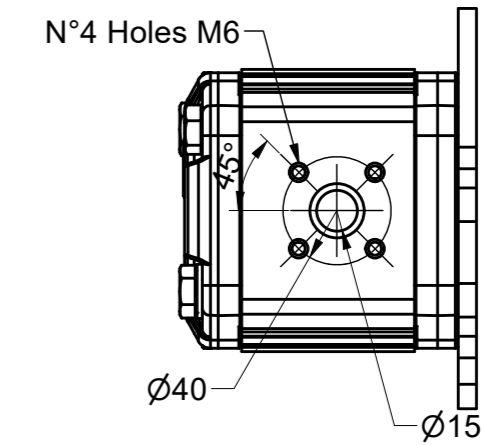


View from "A"
INLET

View from "B"
OUTLET



Displacement	Flow (at 1500 rpm)	Max pressure			Max speed	Dimensions			
		p _{continuous}	p _{intermittent}	p _{peak}		A	B	C	D
[cm ³ /rev]	[litres/min]	[bar]	[bar]	[bar]	[rpm]	[mm]	[mm]	[mm]	[mm]
4.5	6.4	250	270	290	4000	91	541	37.3	15
6.4	9.1	250	270	290	4000	94	544	38.5	15
8.3	11.8	250	270	290	4000	97	547	45.8	15
9.6	13.7	250	270	290	4000	99	549	40.6	20
11.5	16.4	230	250	270	4000	102	552	45	20
14.1	20.1	230	250	270	4000	106	556	45	20
16.0	22.8	210	225	240	4000	109	559	45	20
21.1	30.1	180	195	210	3400	117	567	45	20
23.7	33.7	180	195	210	3000	121	571	52.5	20