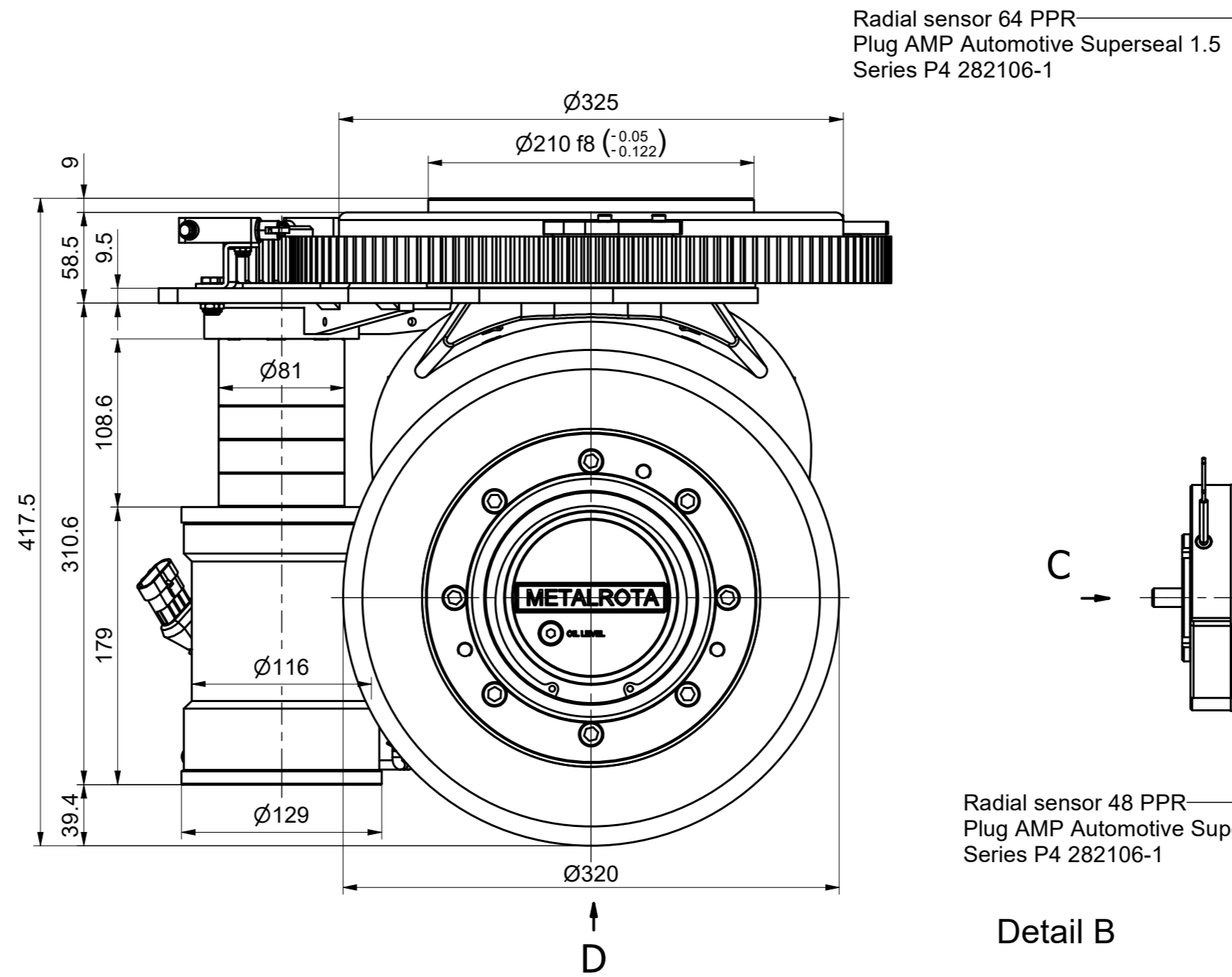
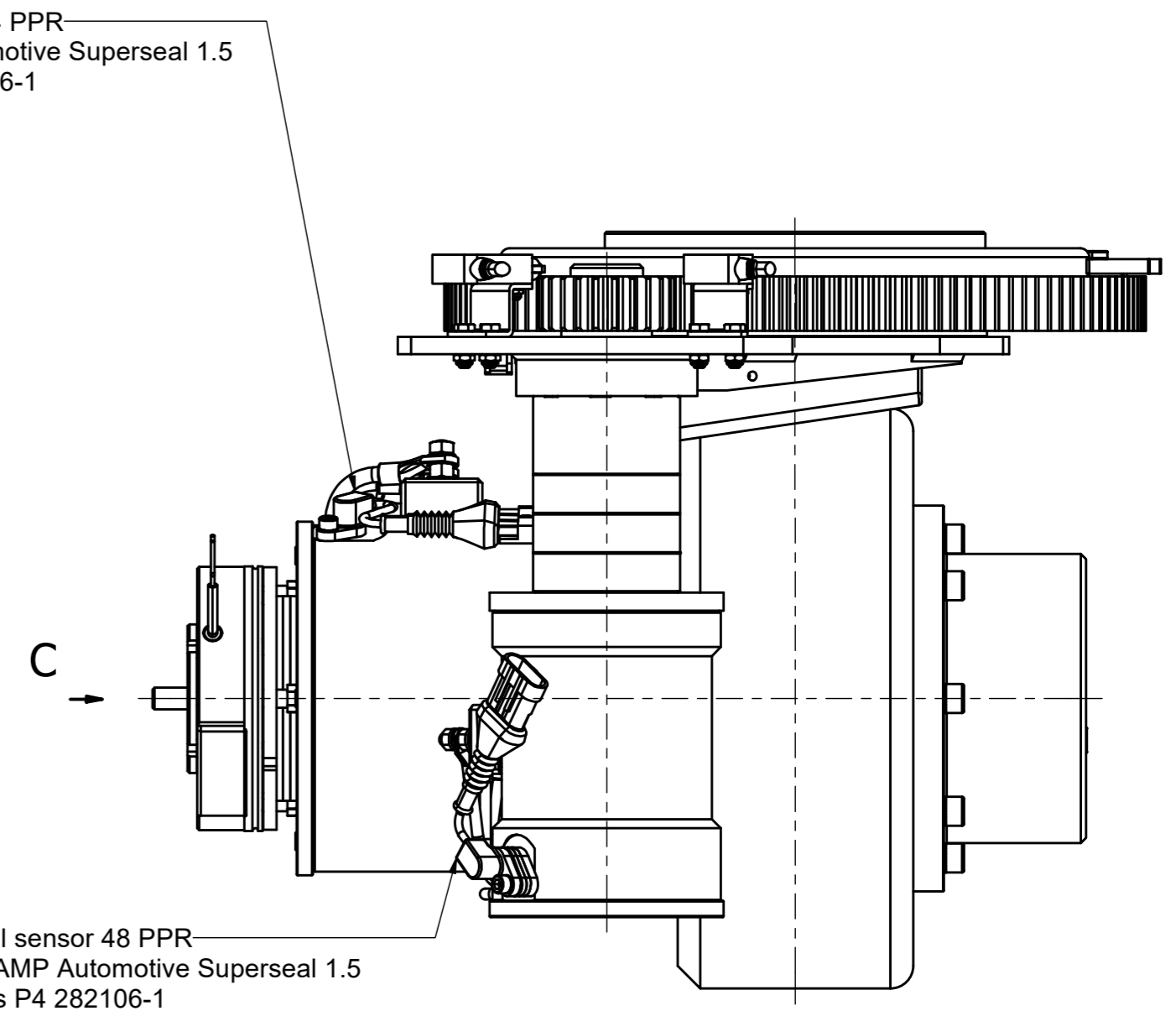


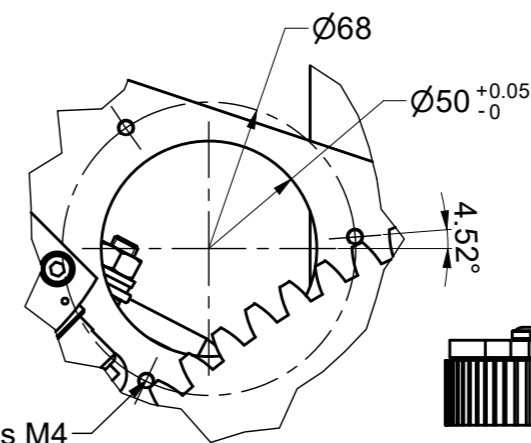
View from "D"



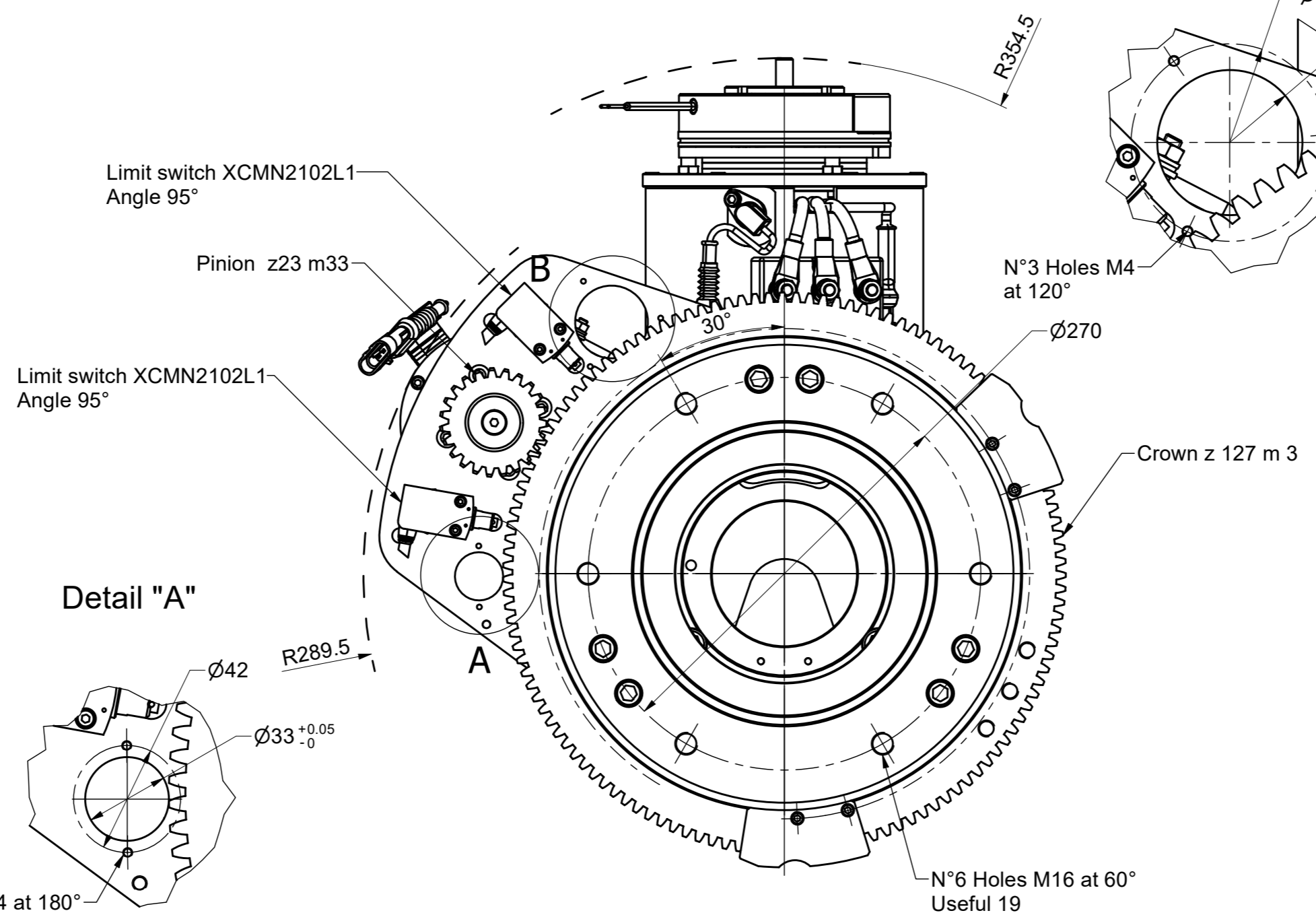
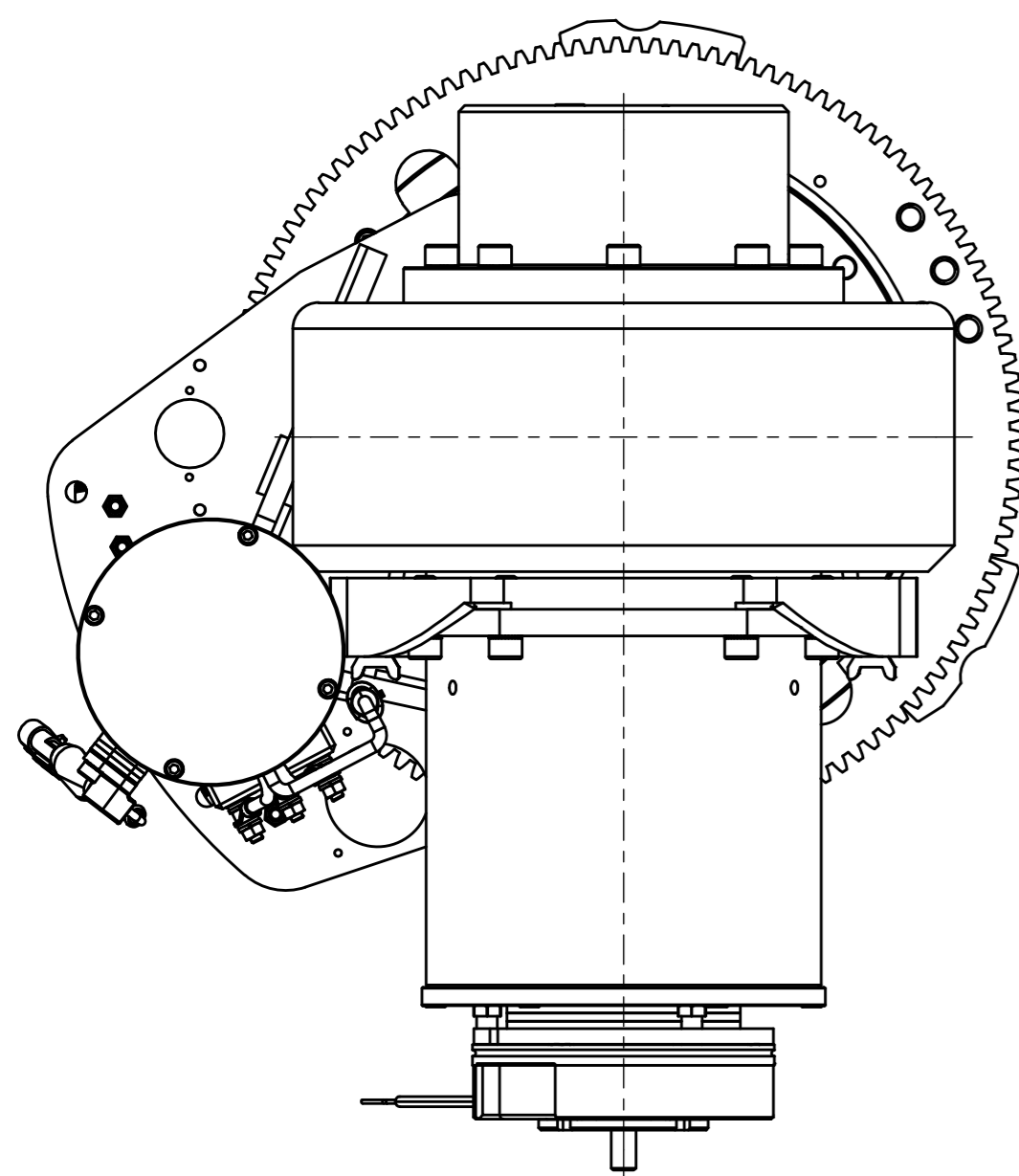
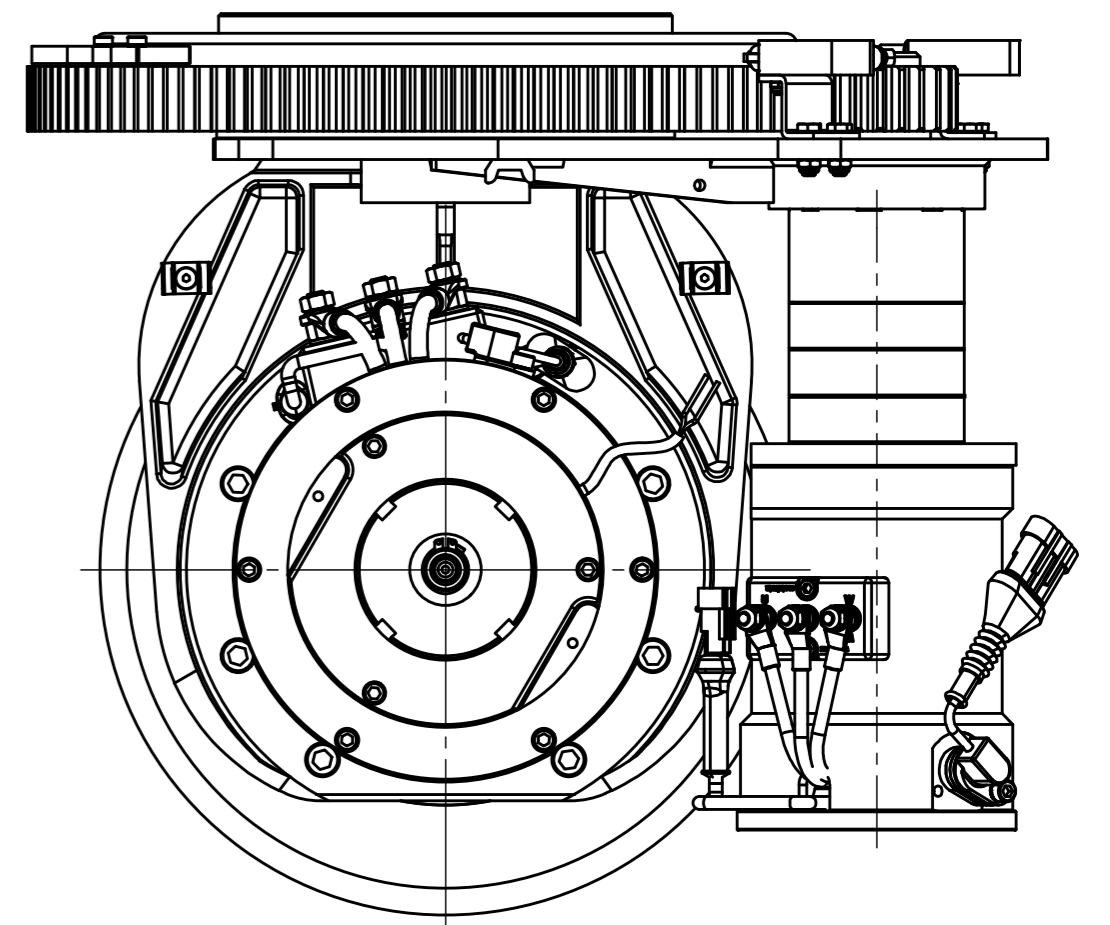
D



Detail B



View from "C"



N°2 Holes M4 at 180°