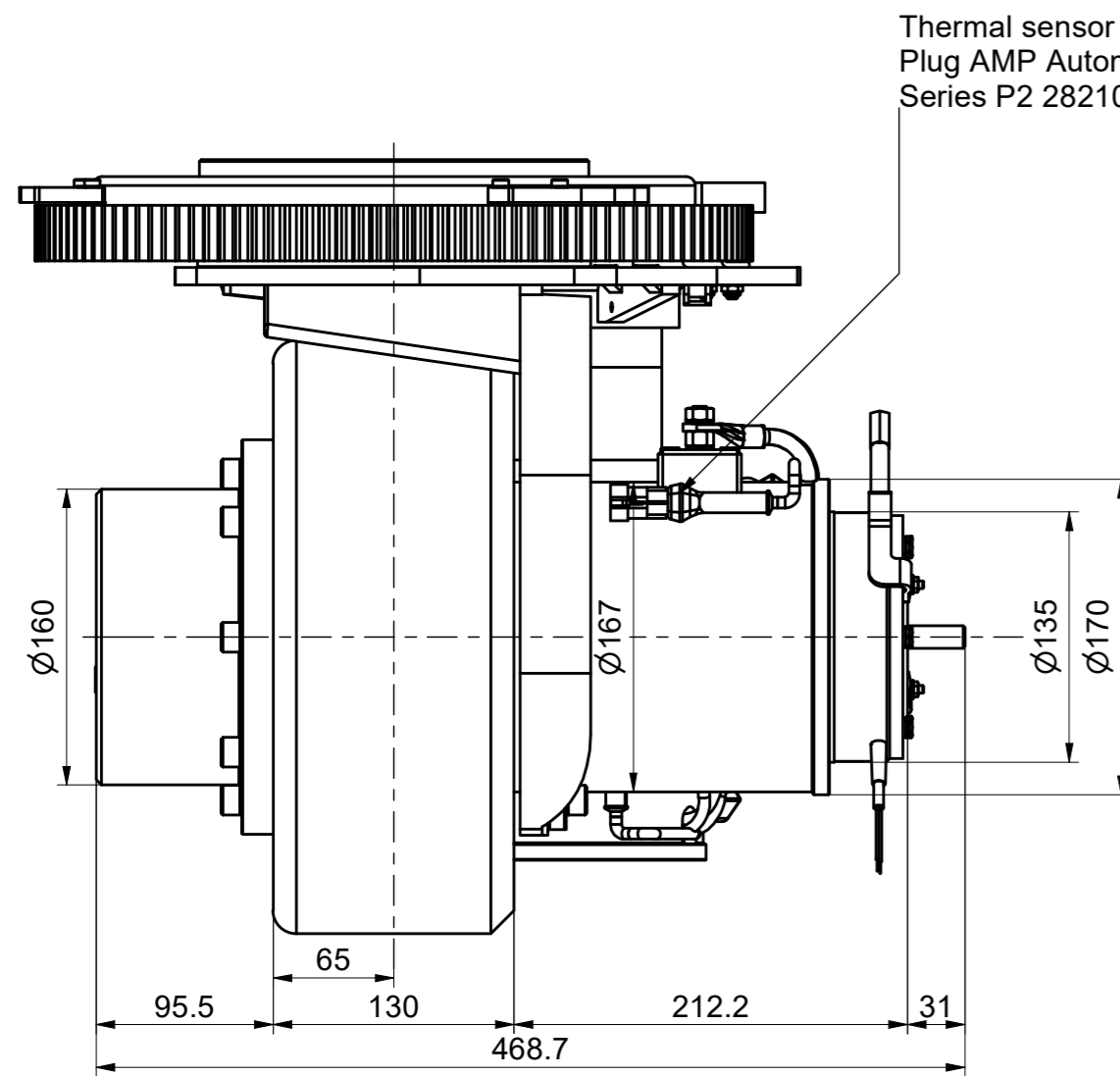
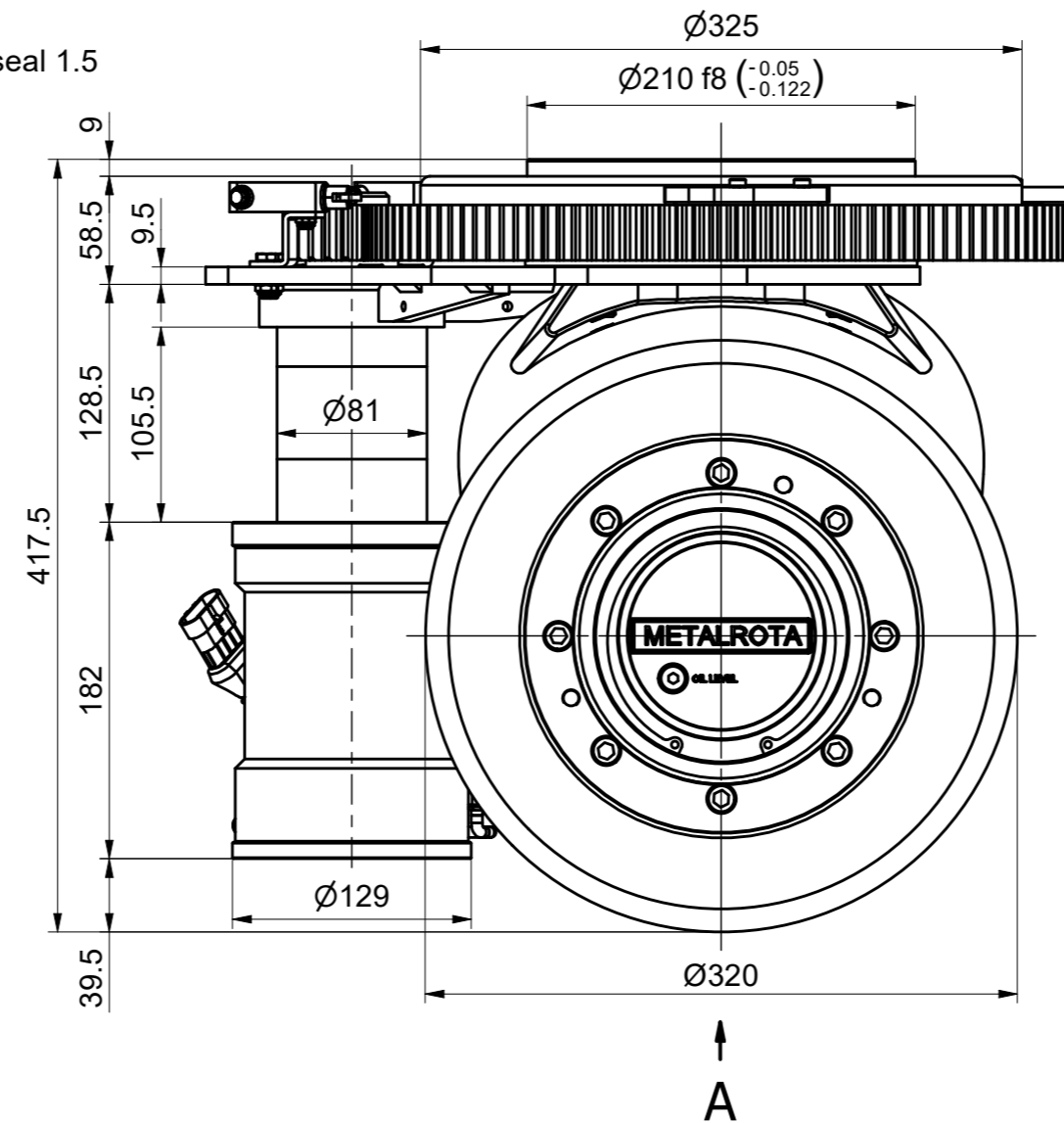


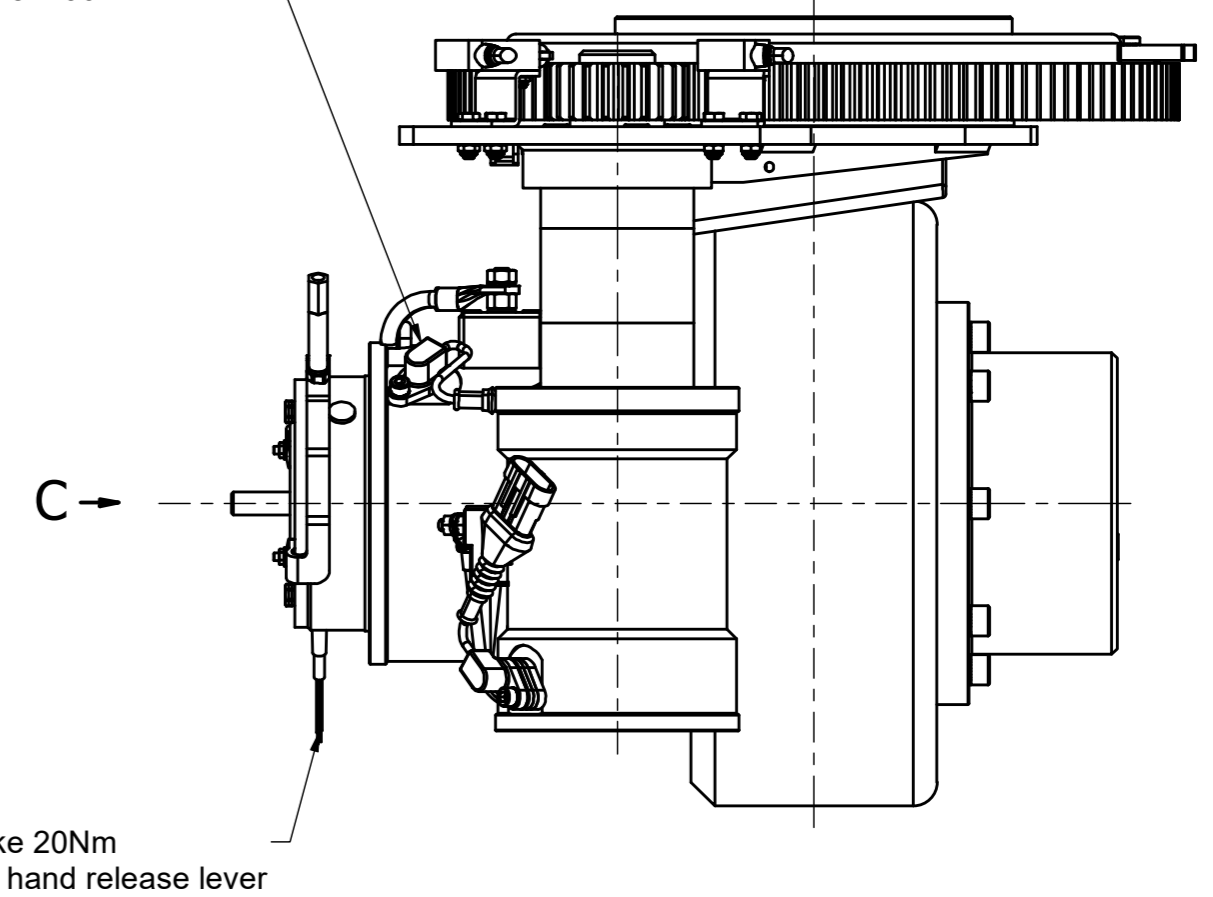
STEERING DRIVE WHEEL



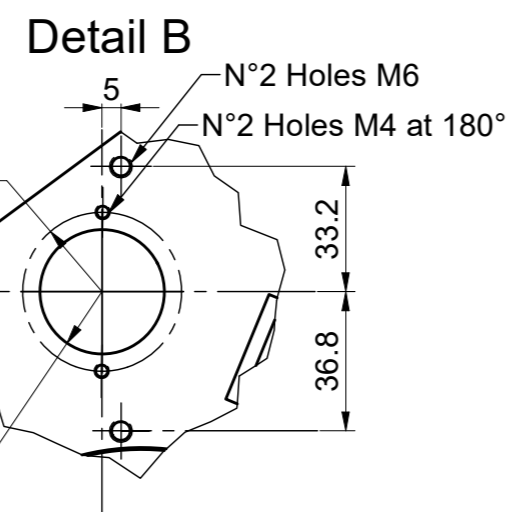
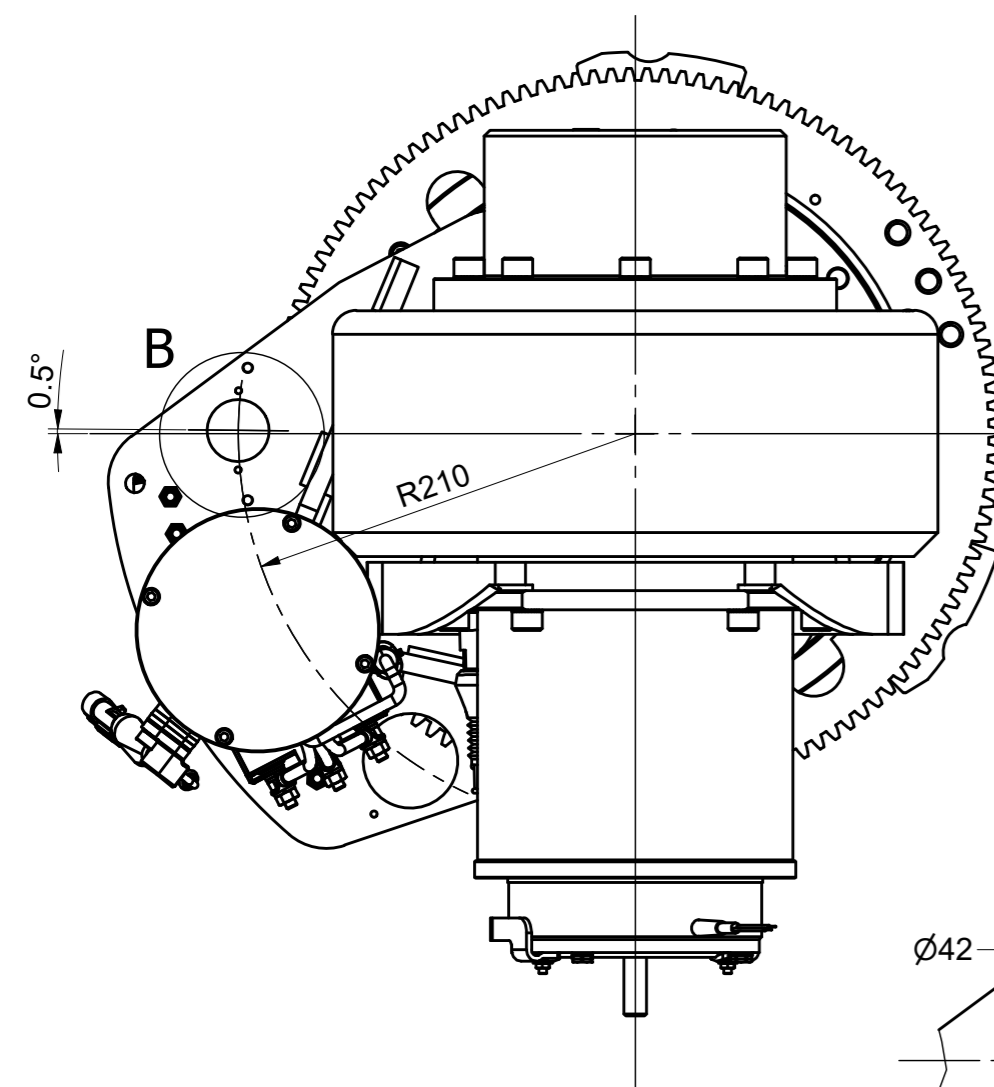
Thermal sensor KTY 84/130
Plug AMP Automotive Superseal 1.5
Series P2 282104-1



Radial sensor 48 PPR
Plug AMP Automotive Superseal 1.5
Series P4 282106-1



View from "A"



Limit switch XCMN2102L1
Angle 95°

Pinion z23 m3

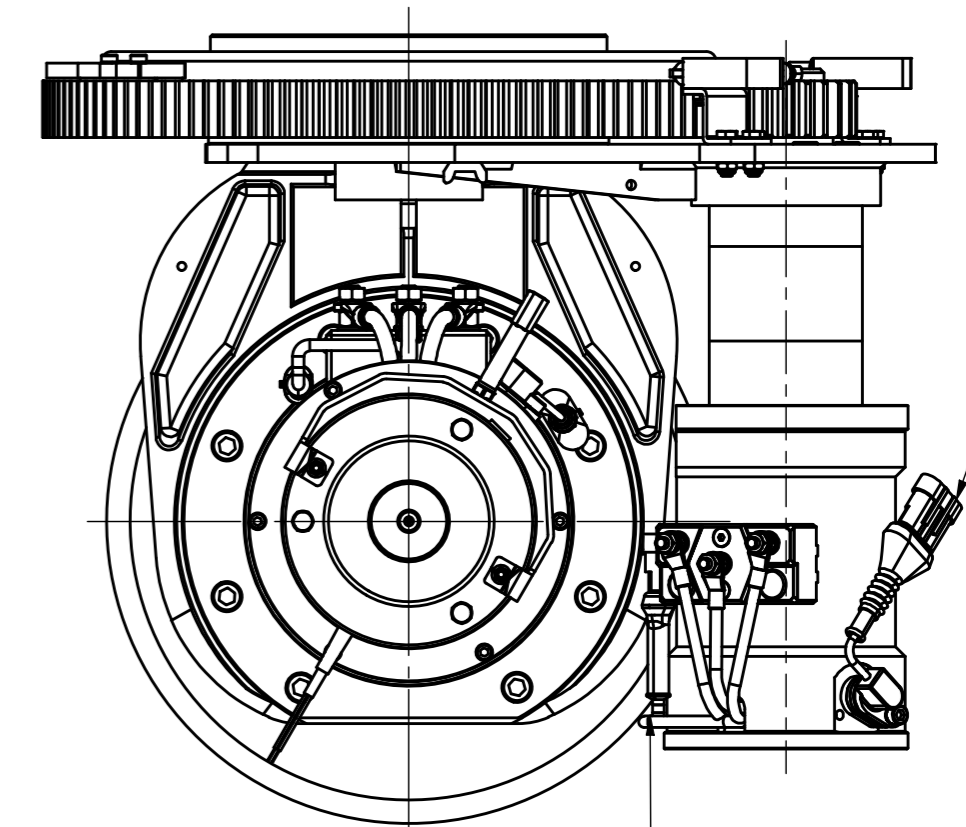
Limit switch XCMN2102L1
Angle 95°

R320

N°6 Holes M16 at 60°
Useful 19 mm

Crown z127 m3

View from "C"



Radial sensor 48 PPR
Plug AMP Automotive Superseal 1.5
Series P4 282106-1

Thermal sensor KTY 84/130
Plug AMP Automotive Superseal 1.5
Series P2 282104-1