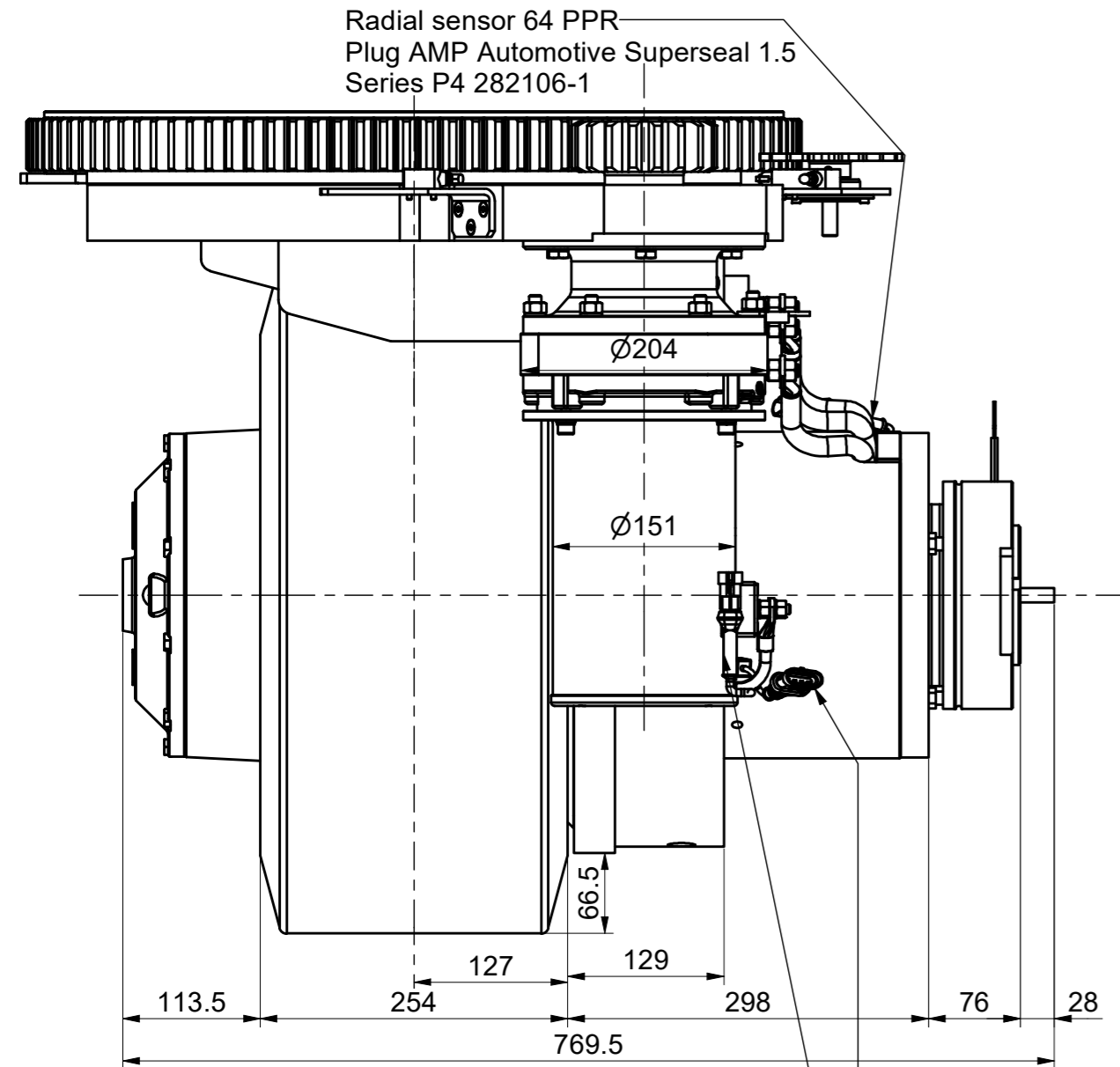
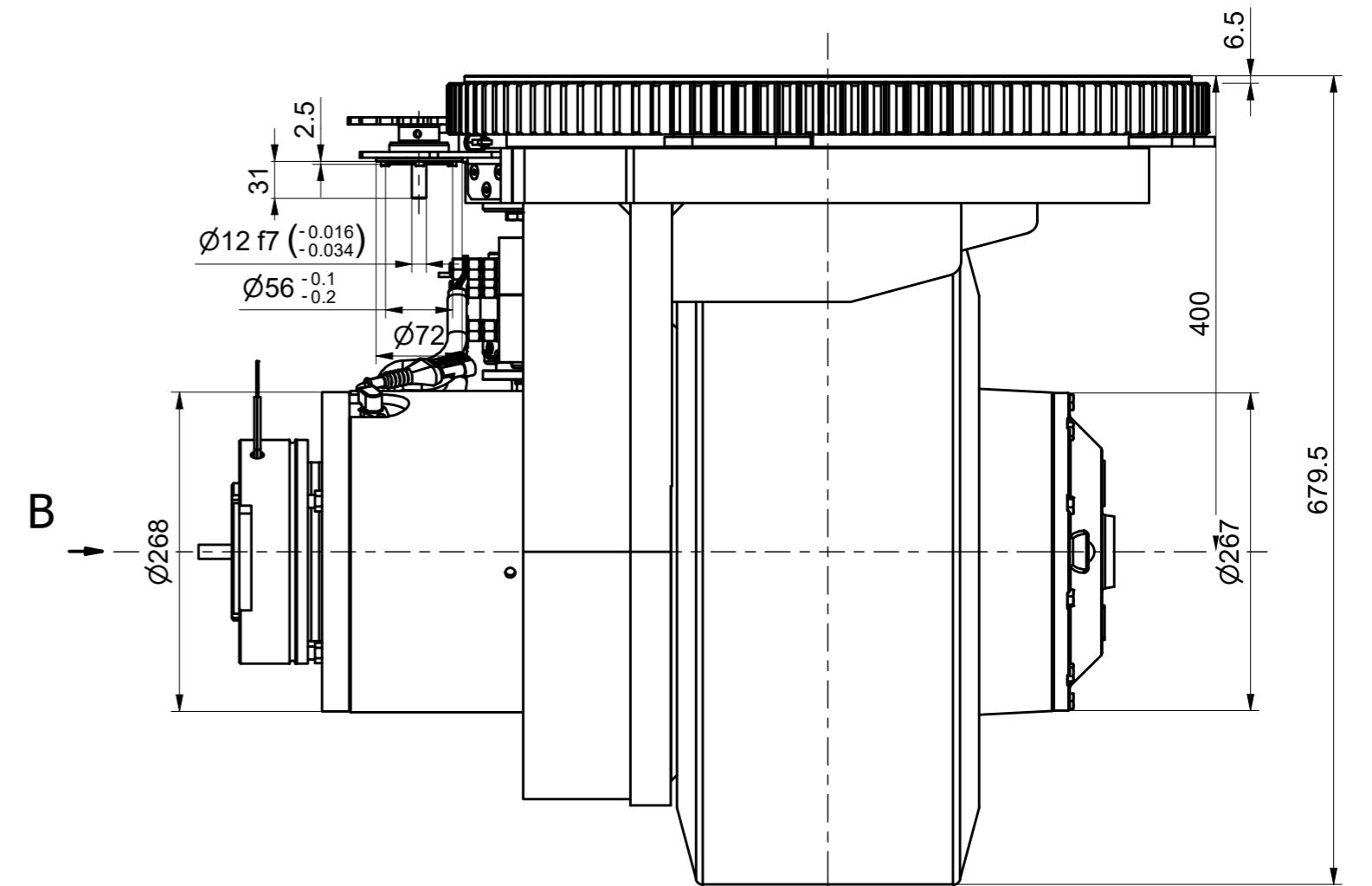
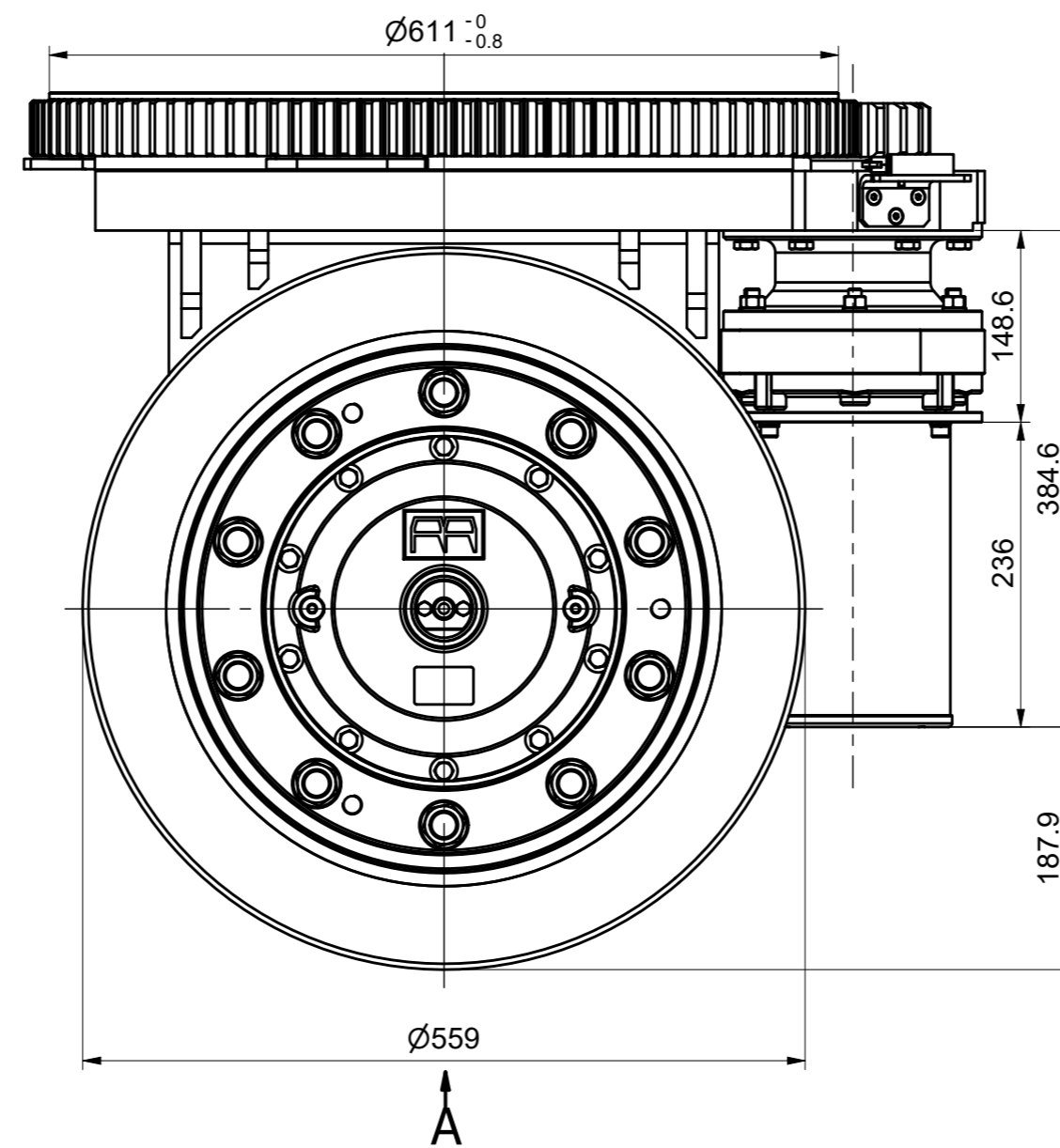


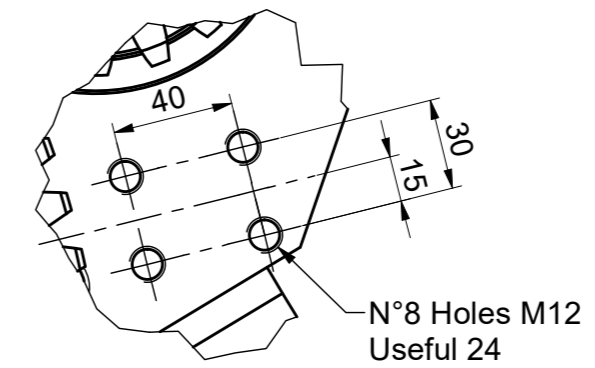
# STEERING DRIVE WHEEL



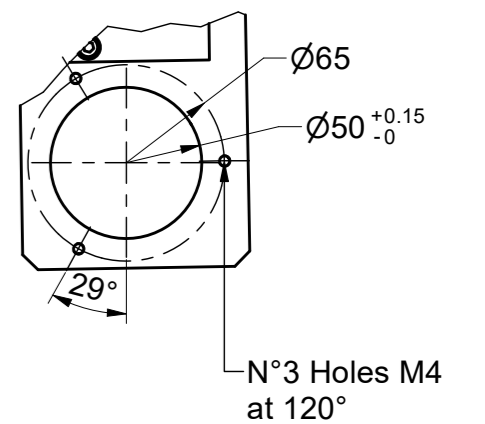
Radial sensor 48 PPR  
Plug AMP Automotive Superseal 1.5  
Series P4 282106-1  
Thermal sensor KTY 84/130  
Plug AMP Automotive Superseal 1.5  
Series P2 282104-1



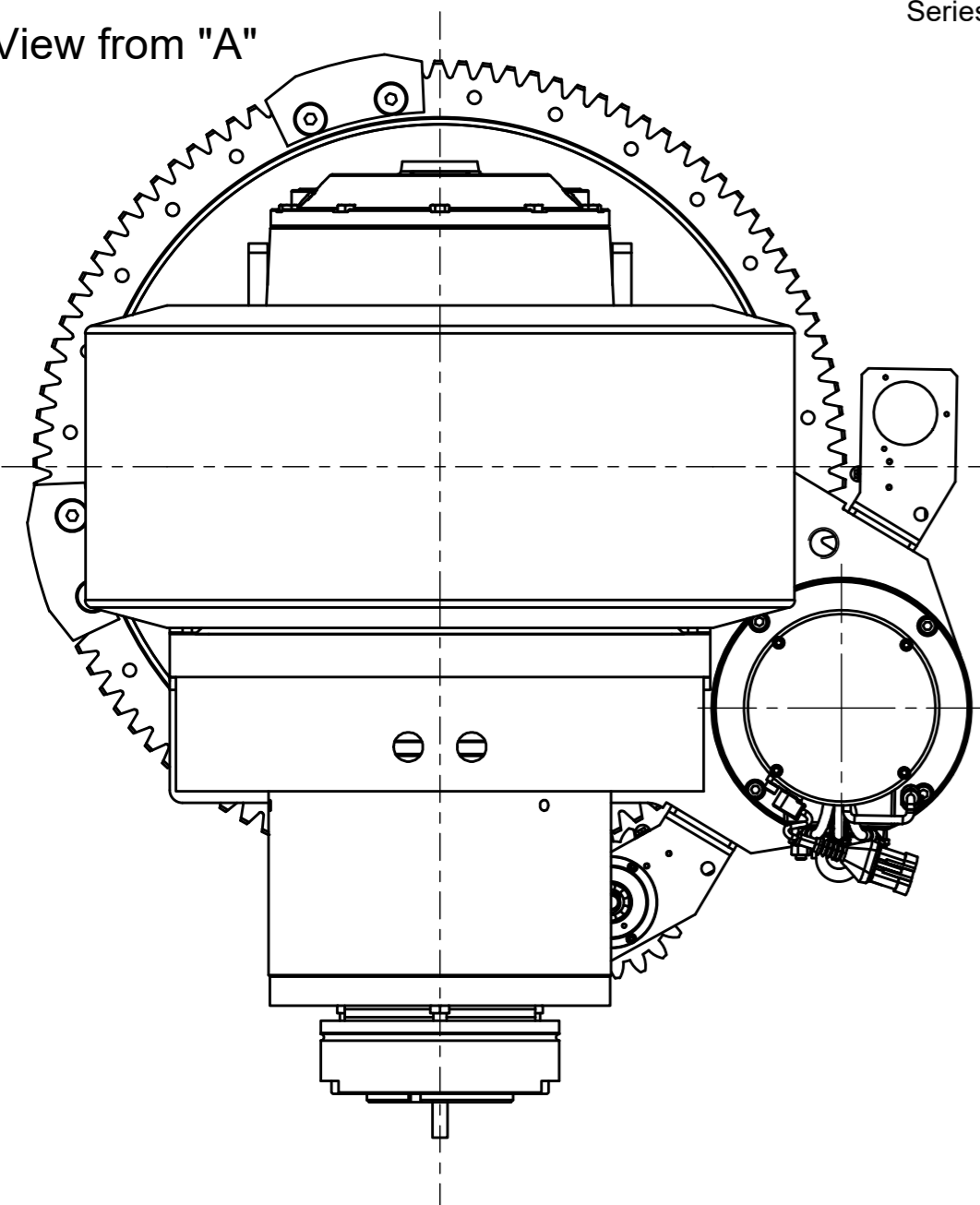
Det. C



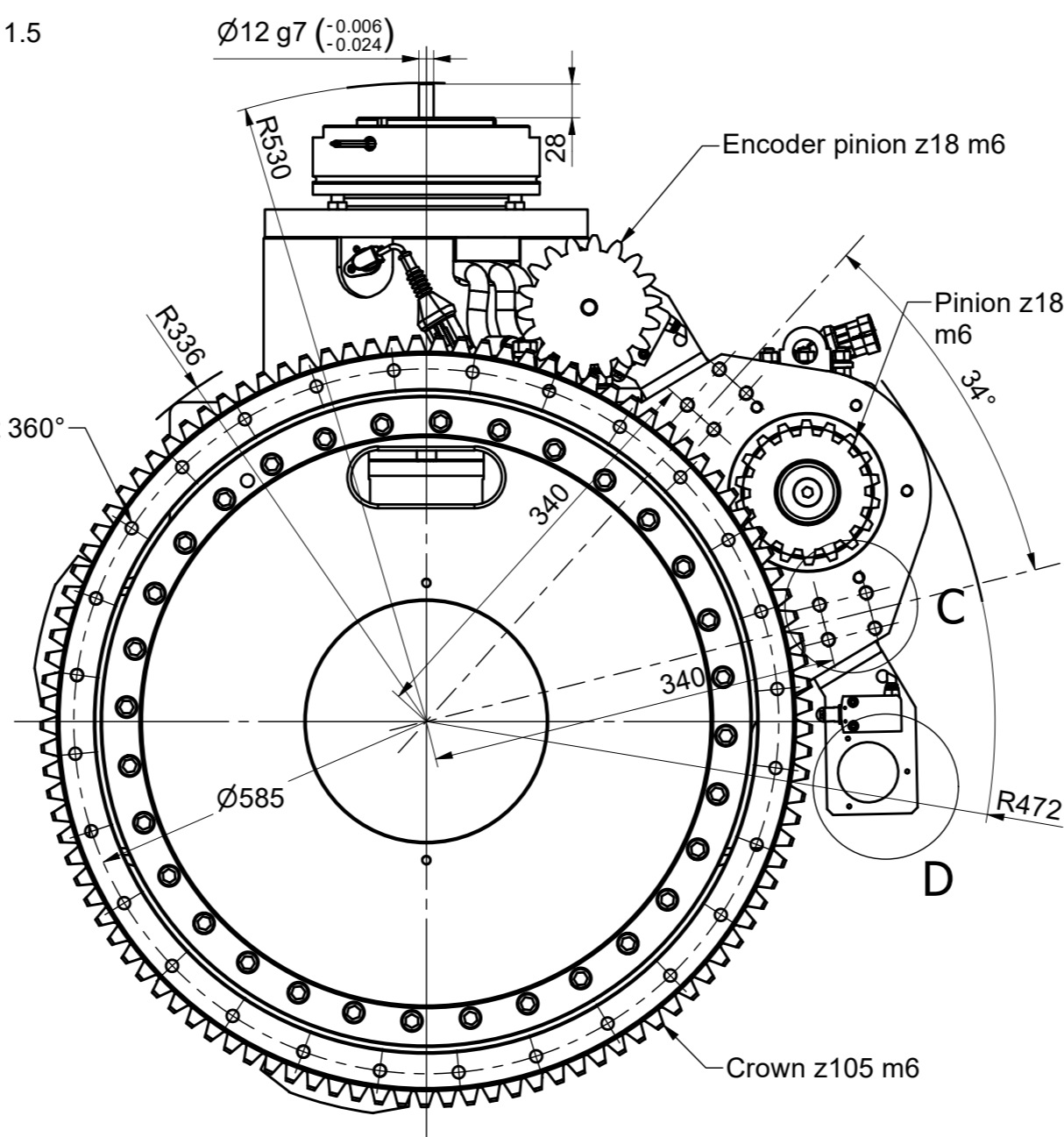
Det. D



View from "A"



N°28 Holes M12 at 360°  
Useful 30



View from "B"

