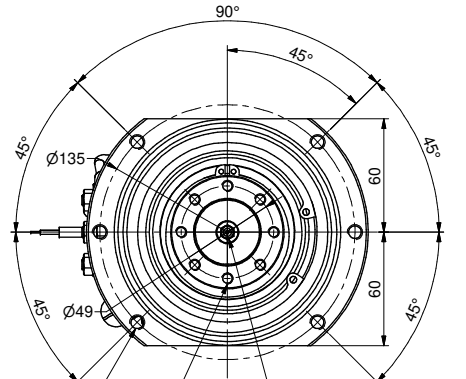
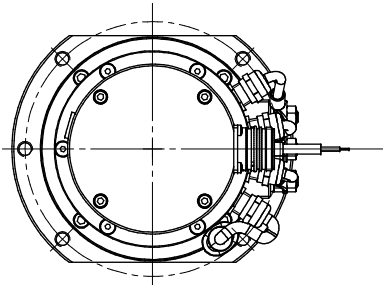
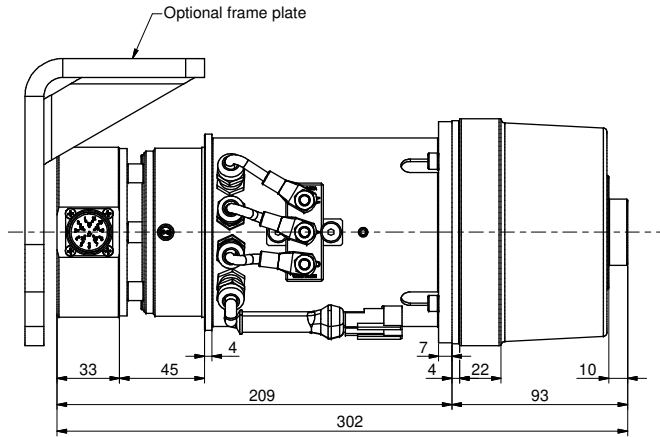


View from "A"



N°6 Holes M8
Useful 20 mm
N°8 Holes M6 at 45°
Useful 12 mm



View with wheel and frame plate

