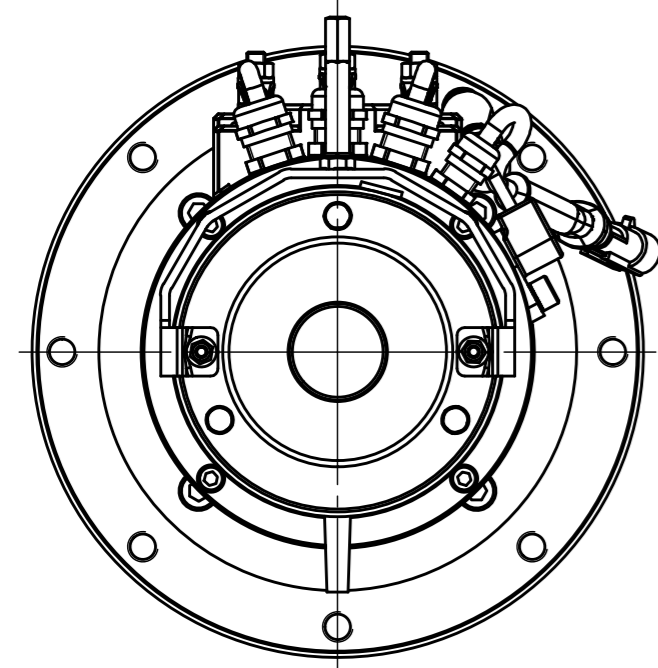
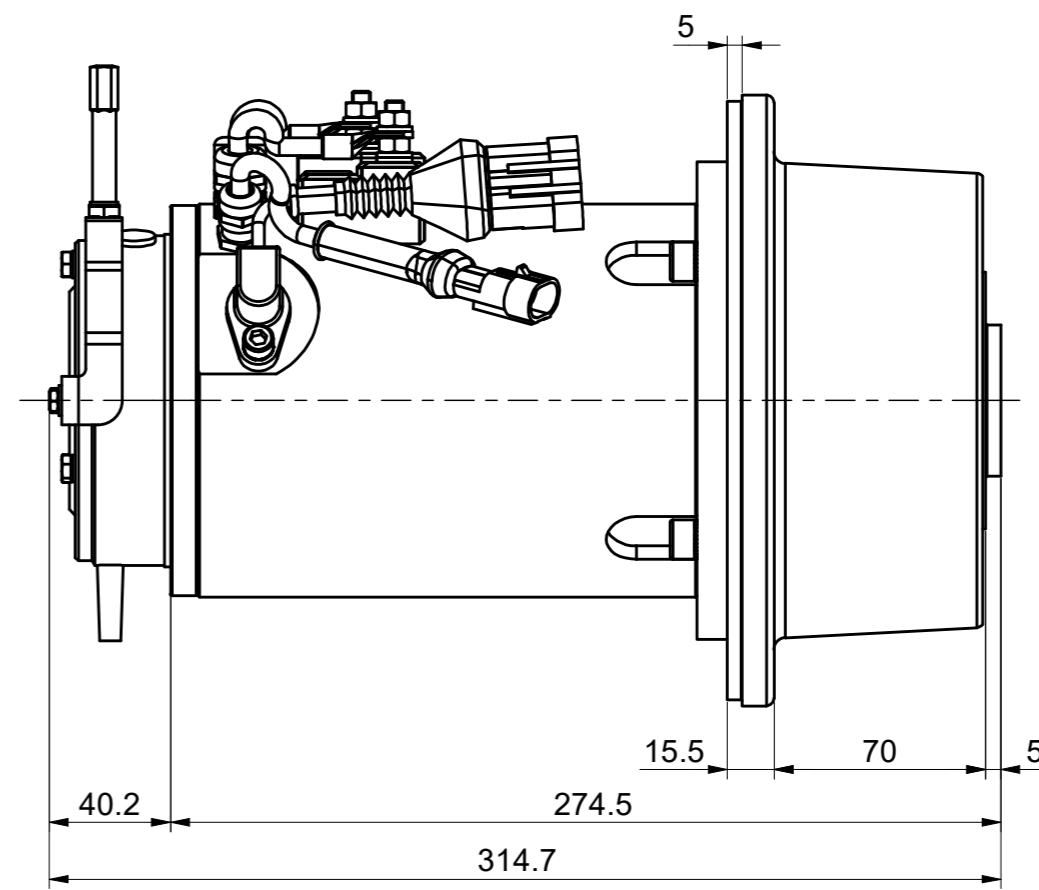
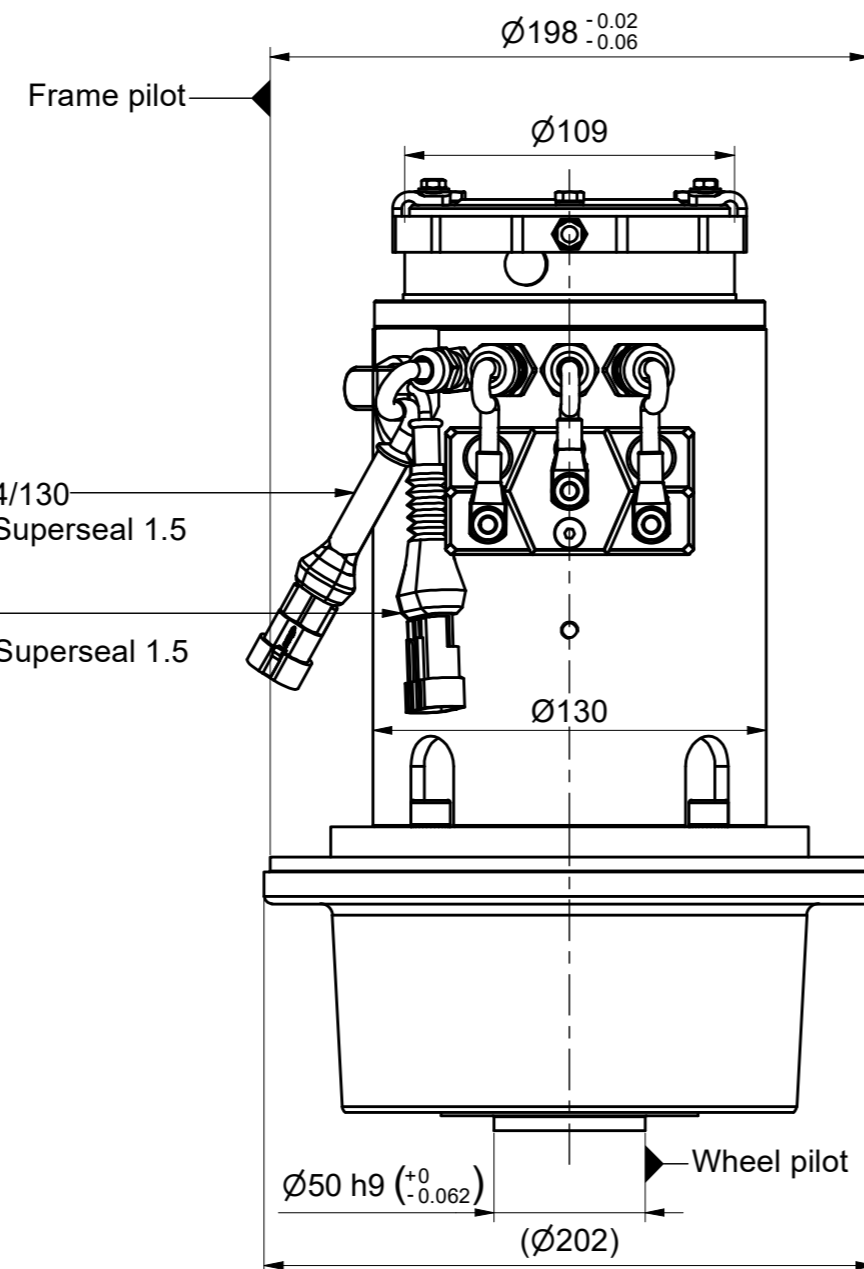


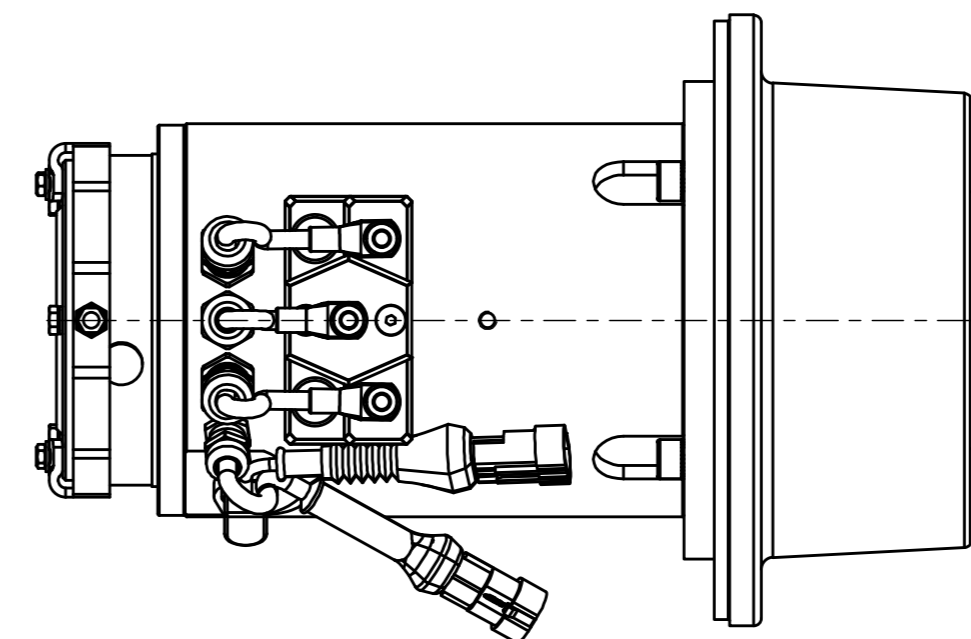
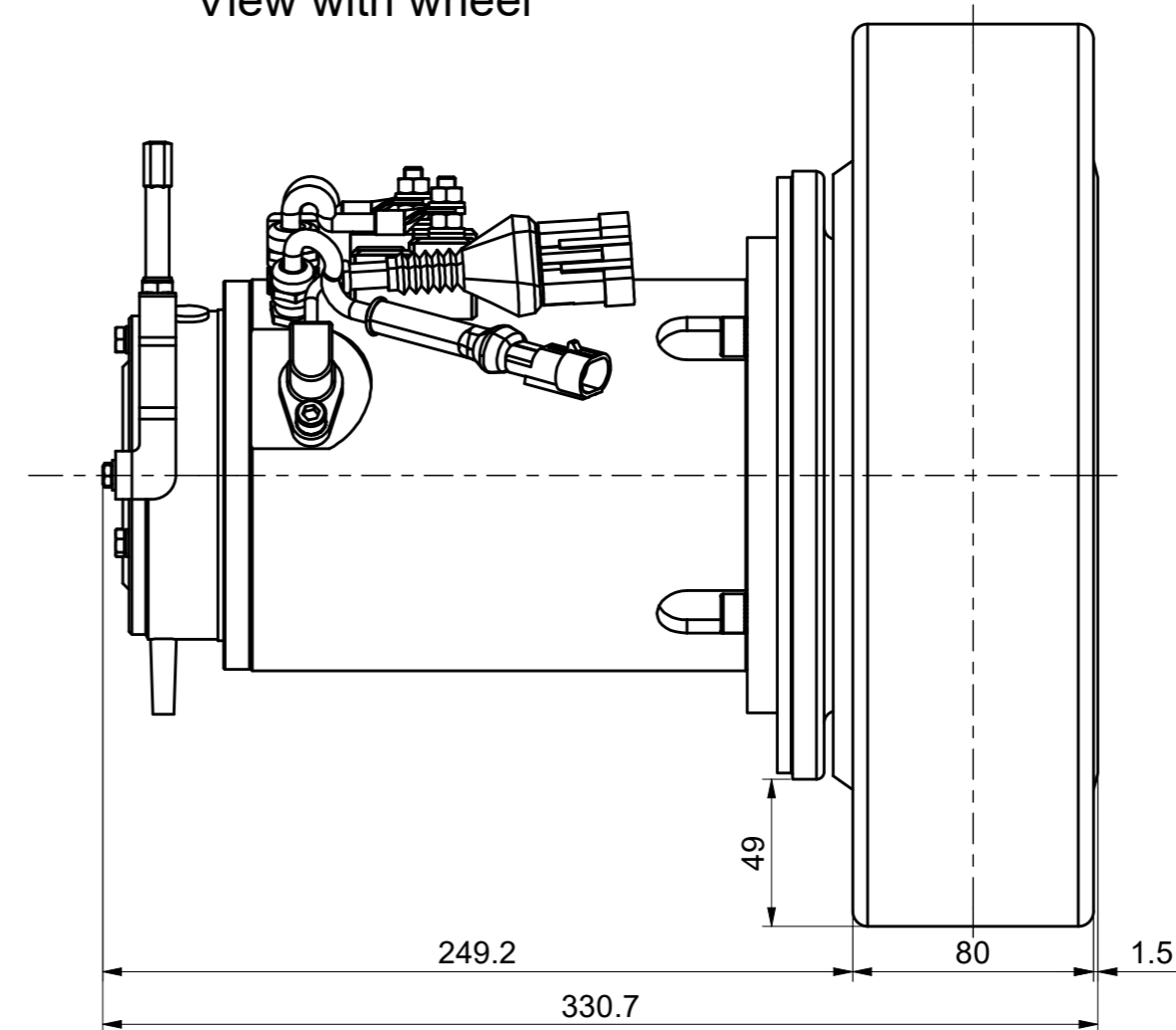
View from "A"



Thermal sensor KTY 84/130
Plug AMP Automotive Superseal 1.5
Series P2 282104-1
Radial sensor 48 PPR
Plug AMP Automotive Superseal 1.5
Series P4 282106-1



View with wheel



Gear data		
Available reduction ratio	i	17.64:1
		38.7:1
Output torque ratings		
Continuous	Intermittent	
400 Nm	750 Nm	
Lubrication type	Grease	
Weight	kg	21

Types of wheels available		
Dimensions and max loads		
Ø250x80 mm 1000 kg	Ø300x90 mm 1000 kg	
Wheels material	Polyurethane	
Tread available	Smooth Grooved	
Hardness	Sh	90
Other materials, hardness, dimensions and tread of wheels are available on request.		