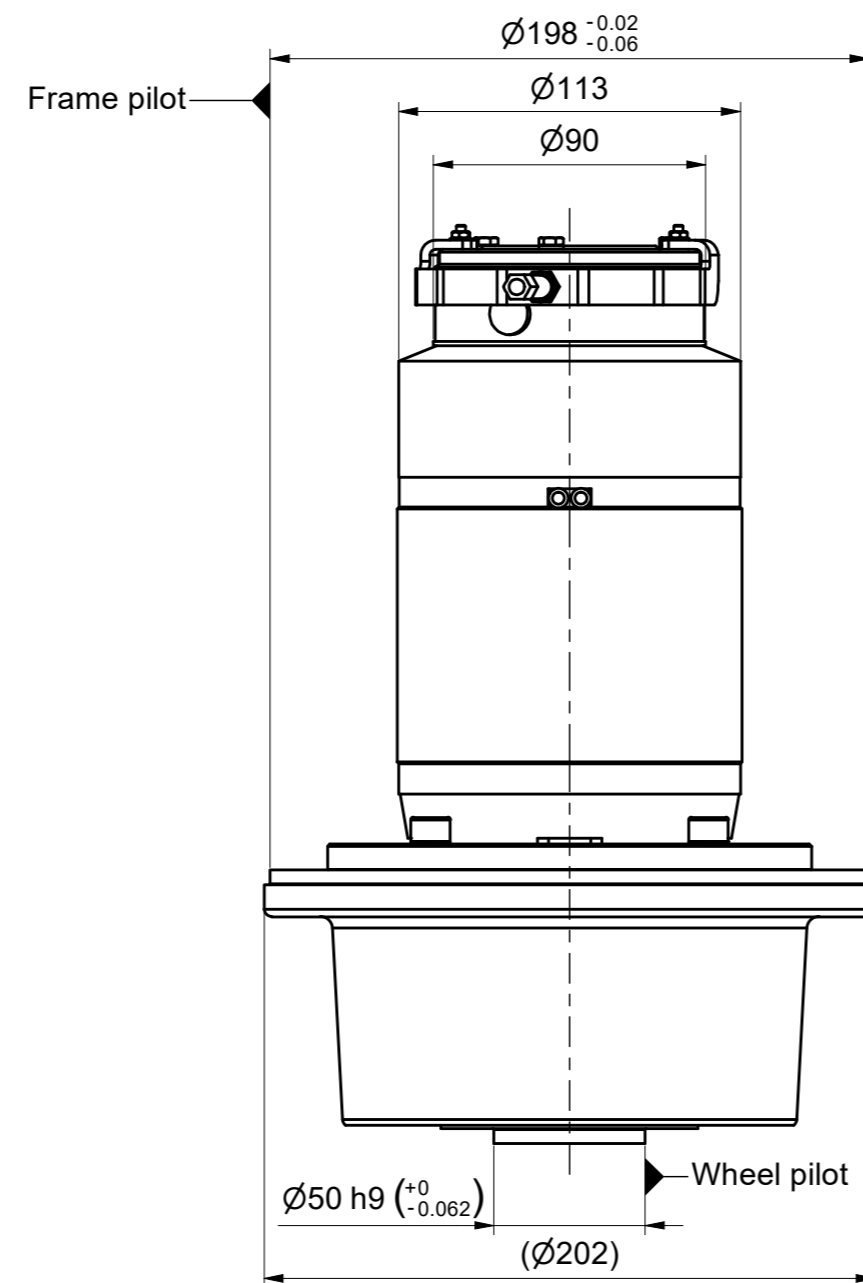
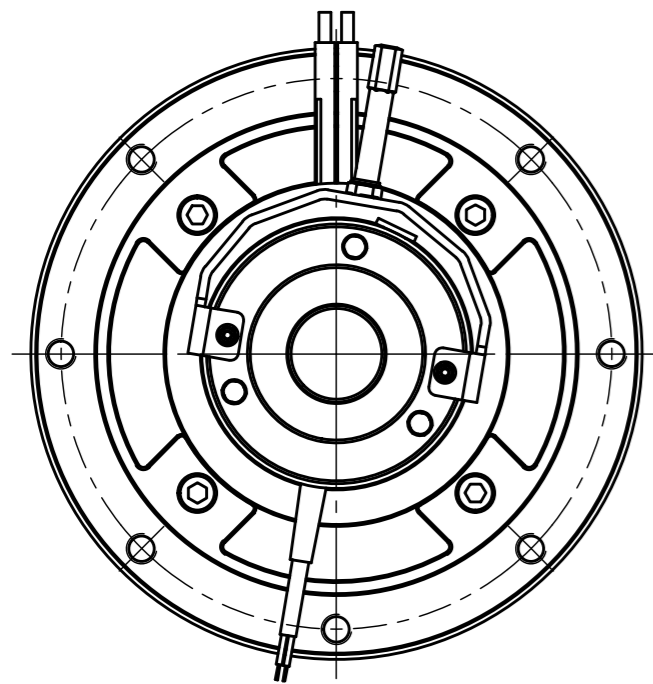
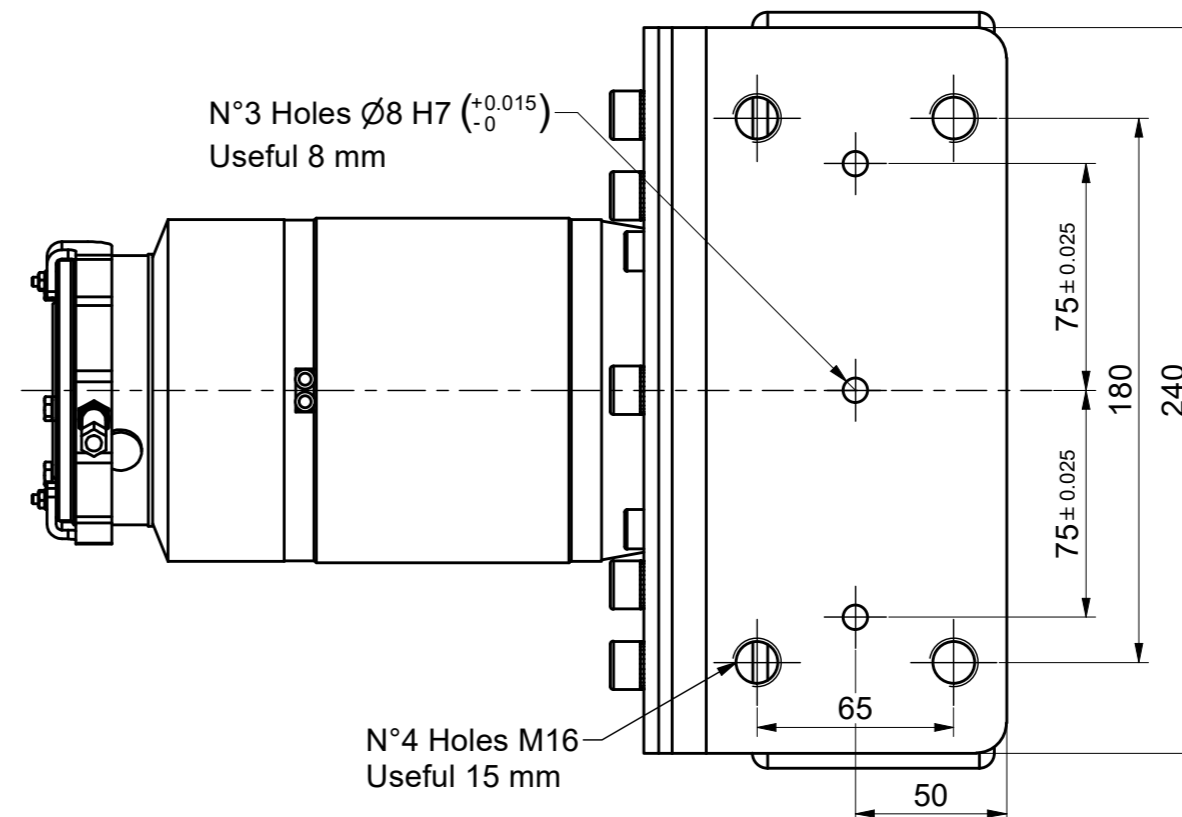
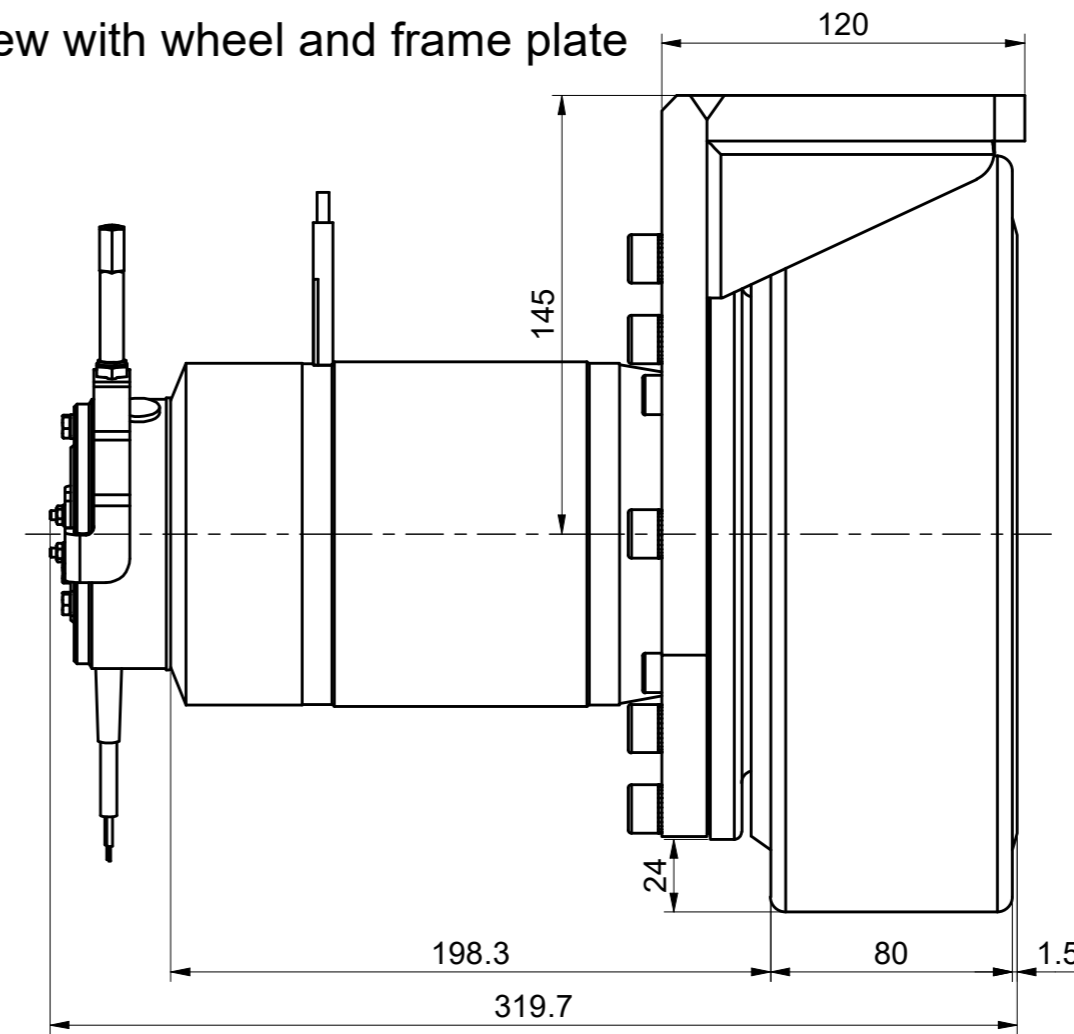


View from "A"



View with wheel and frame plate



Gear data		
Available reduction ratio	i	17.64:1 37.8:1
Output torque ratings		
Continuous	Intermittent	
400 Nm	750 Nm	
Lubrication type	Grease	
Weight	kg	21

Types of wheels available		
Dimensions and max loads		
$\varnothing 250 \times 80$ mm 1000 kg	$\varnothing 300 \times 90$ mm 1000 kg	
Wheels material	Polyurethane	
Tread available	Smooth Grooved	
Hardness	Sh	90
Other materials, hardness, dimensions and tread of wheels are available on request.		