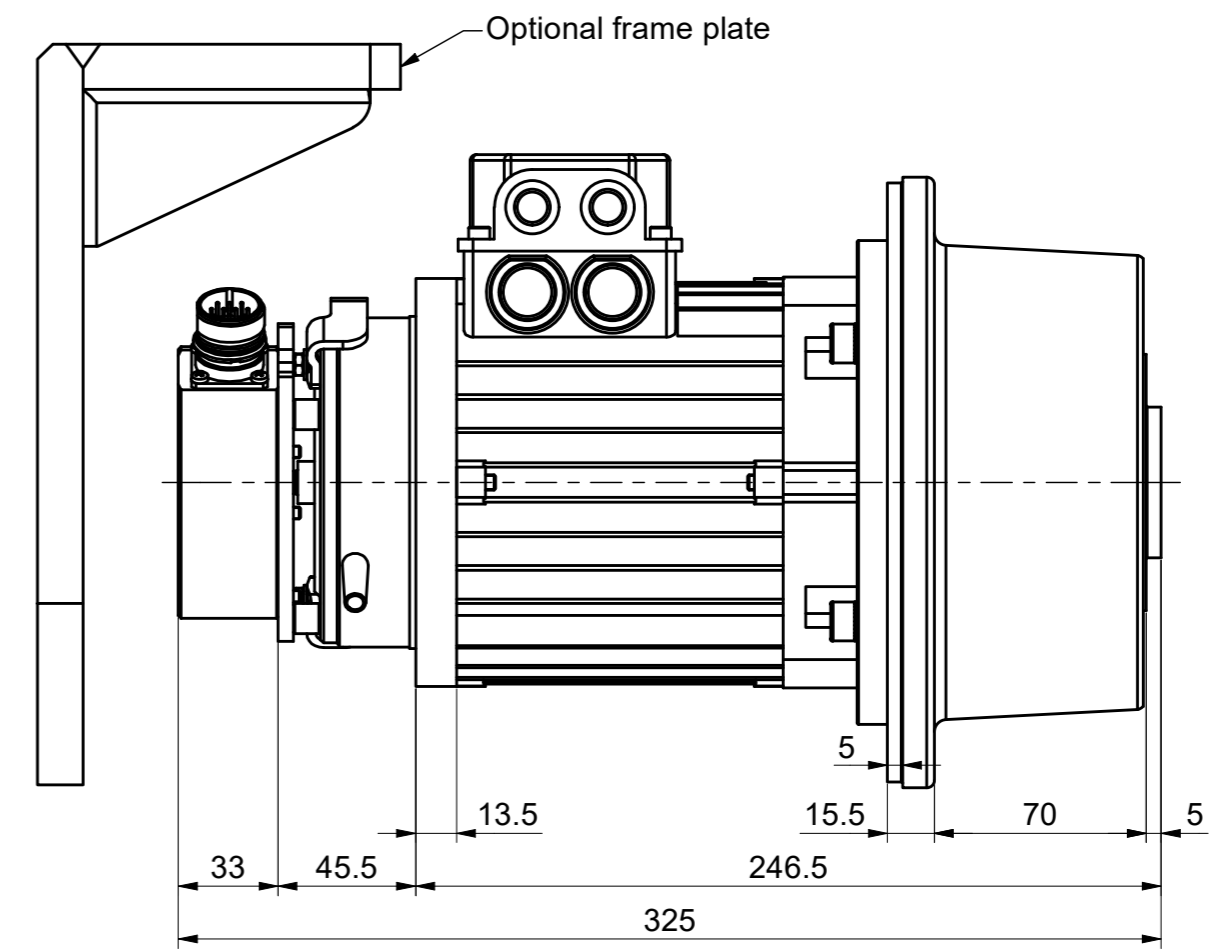
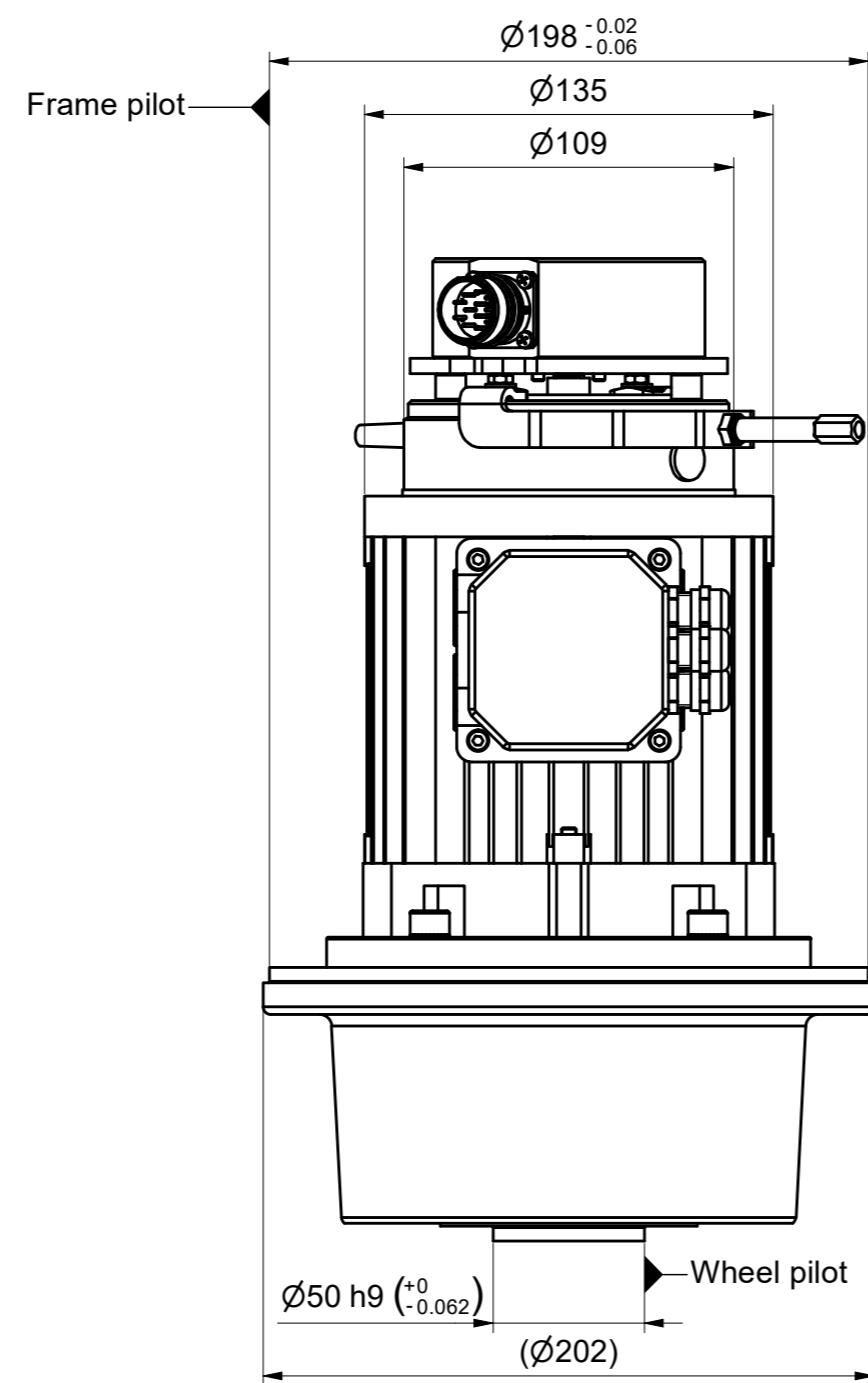
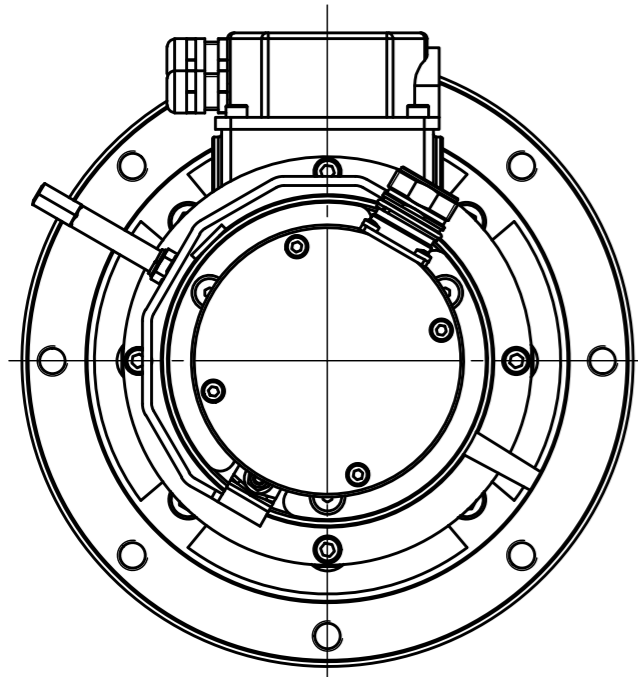
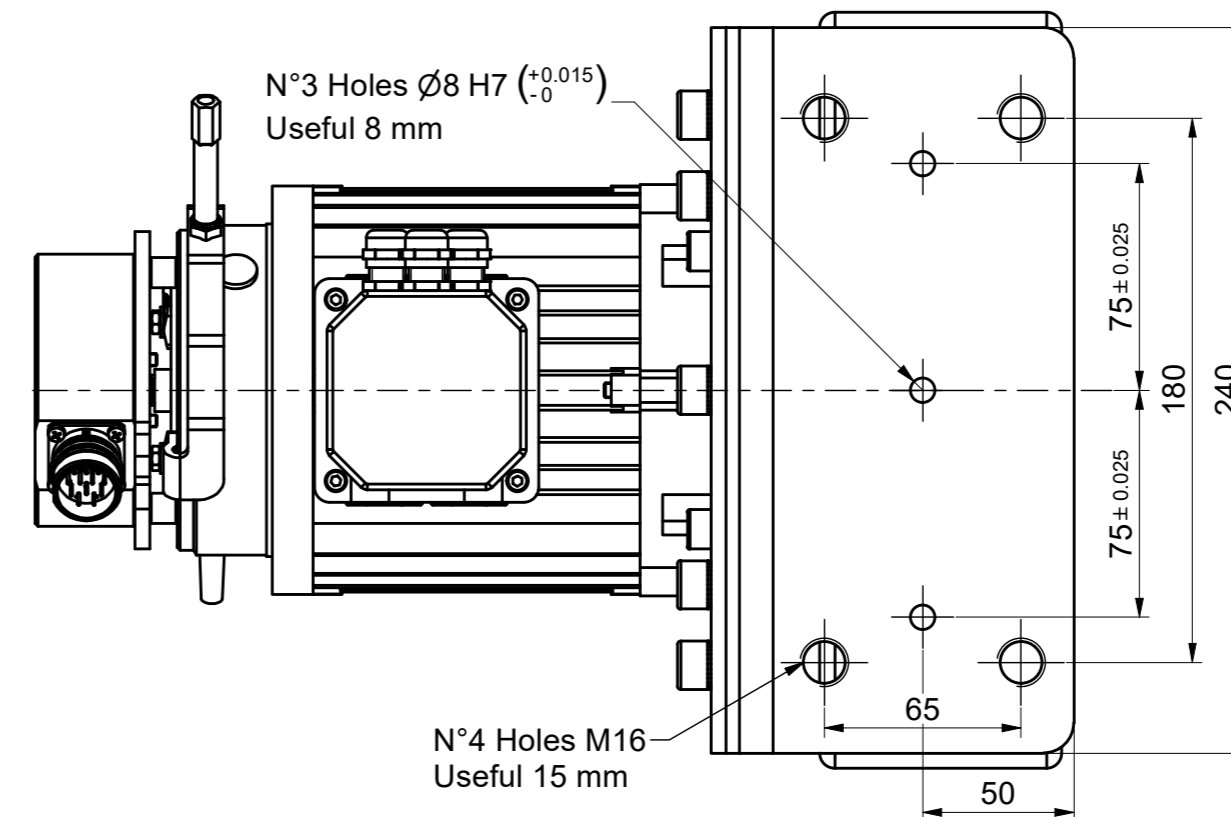
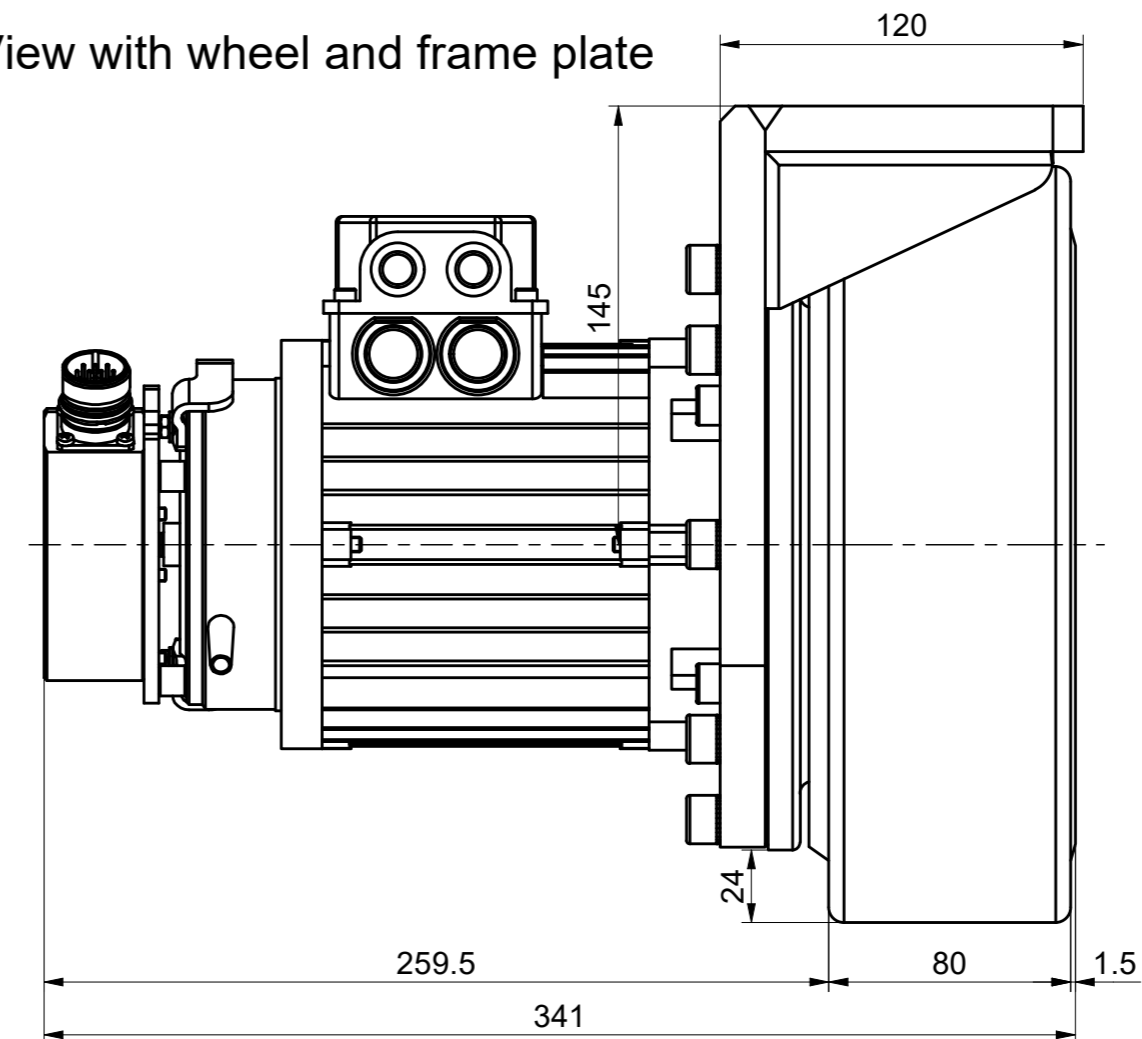


View from "A"



View with wheel and frame plate



| Gear data                 |              |                   |
|---------------------------|--------------|-------------------|
| Available reduction ratio | i            | 17.64:1<br>37.8:1 |
| Output torque ratings     |              |                   |
| Continuous                | Intermittent |                   |
| 400 Nm                    | 750 Nm       |                   |
| Lubrication type          | Grease       |                   |
| Weight                    | kg           | 21                |

| Types of wheels available   |                       |    |
|---|-----------------------|----|
| Dimensions and max loads  |                       |    |
| Ø250x80 mm<br>1000 kg   | Ø300x90 mm<br>1000 kg |    |
| Wheels material   | Polyurethane          |    |
| Tread available   | Smooth<br>Grooved     |    |
| Hardness  | Sh                    | 90 |
| Other materials, hardness, dimensions and tread of wheels are available on request. |                       |    |