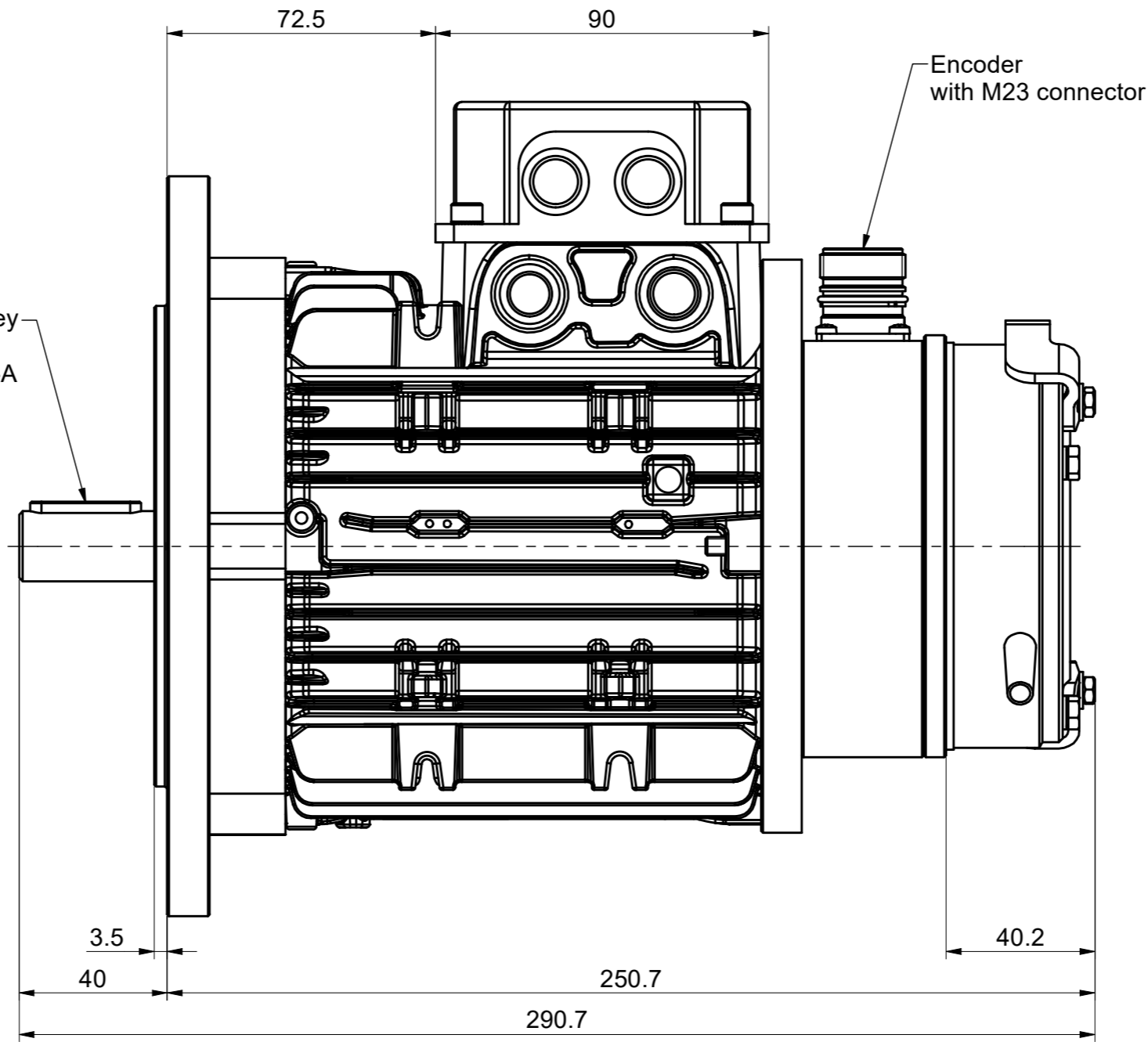
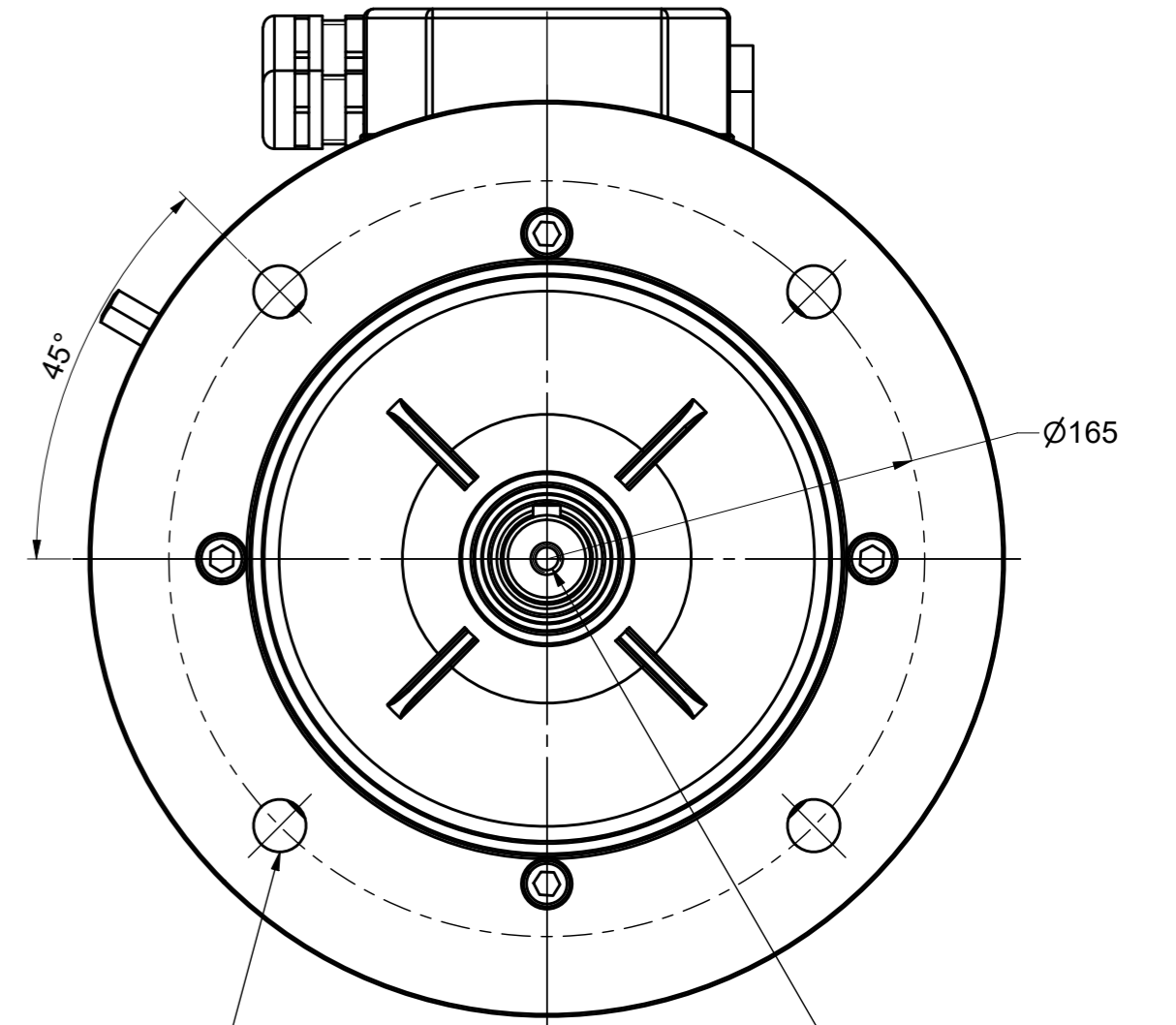


10Nm e/m brake
with hand release lever

Feather key
6x6x30
UNI 6604-A



Encoder
with M23 connector



N°4 Holes Ø11.5
at 90°

N°1 Hole M6
useful 16

