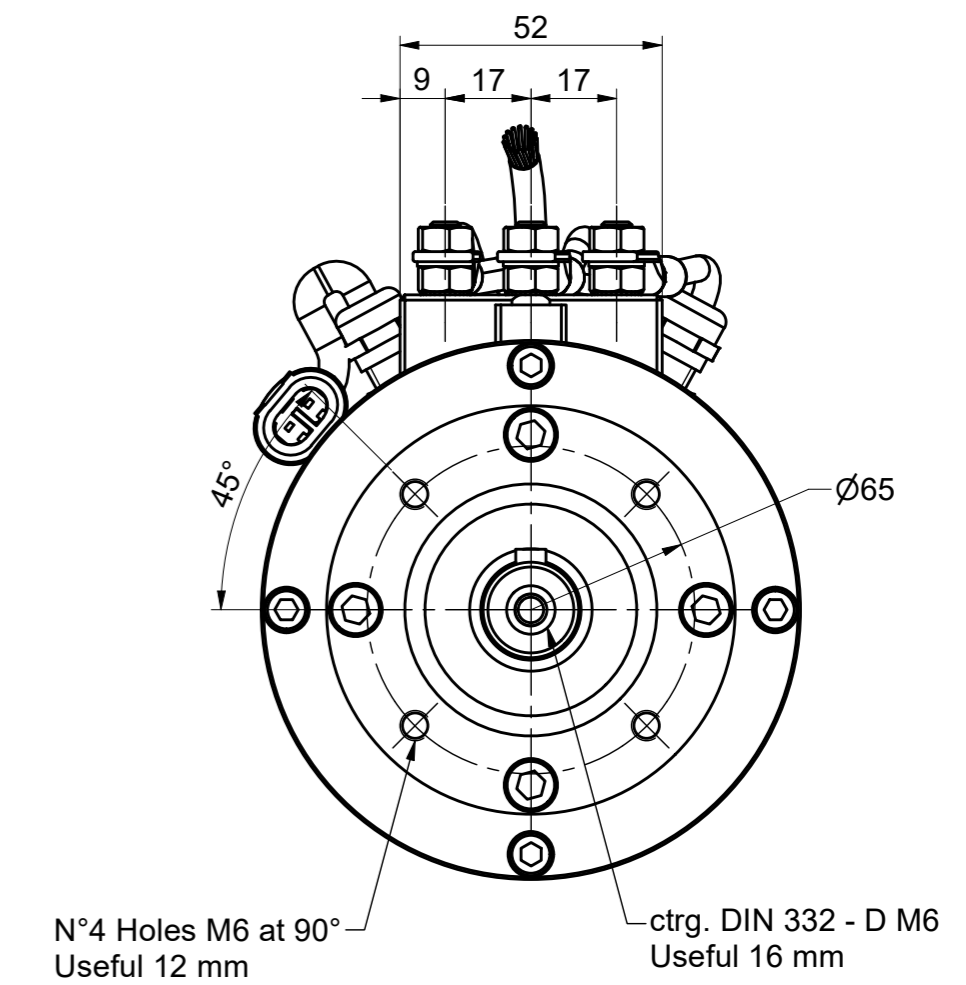
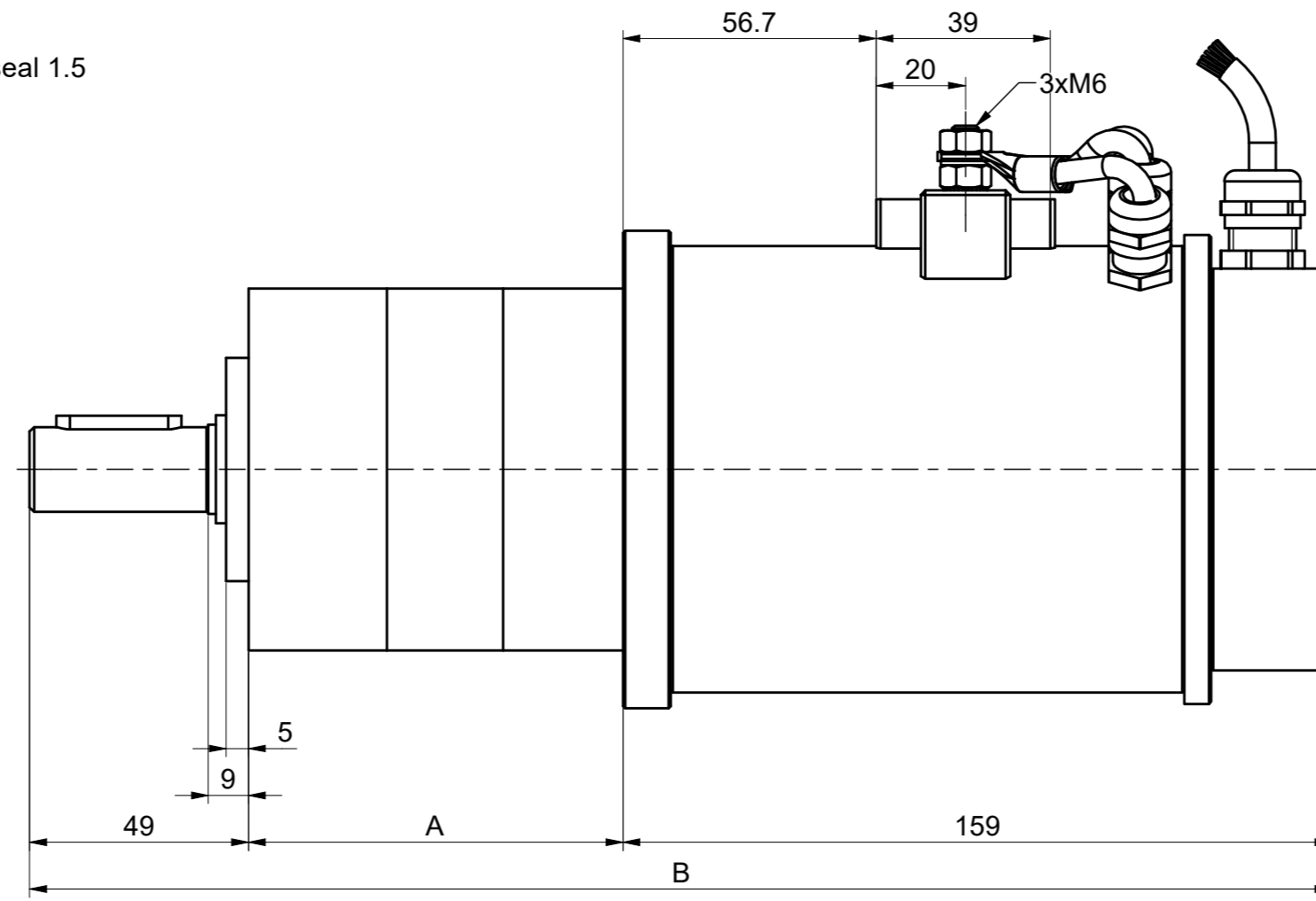


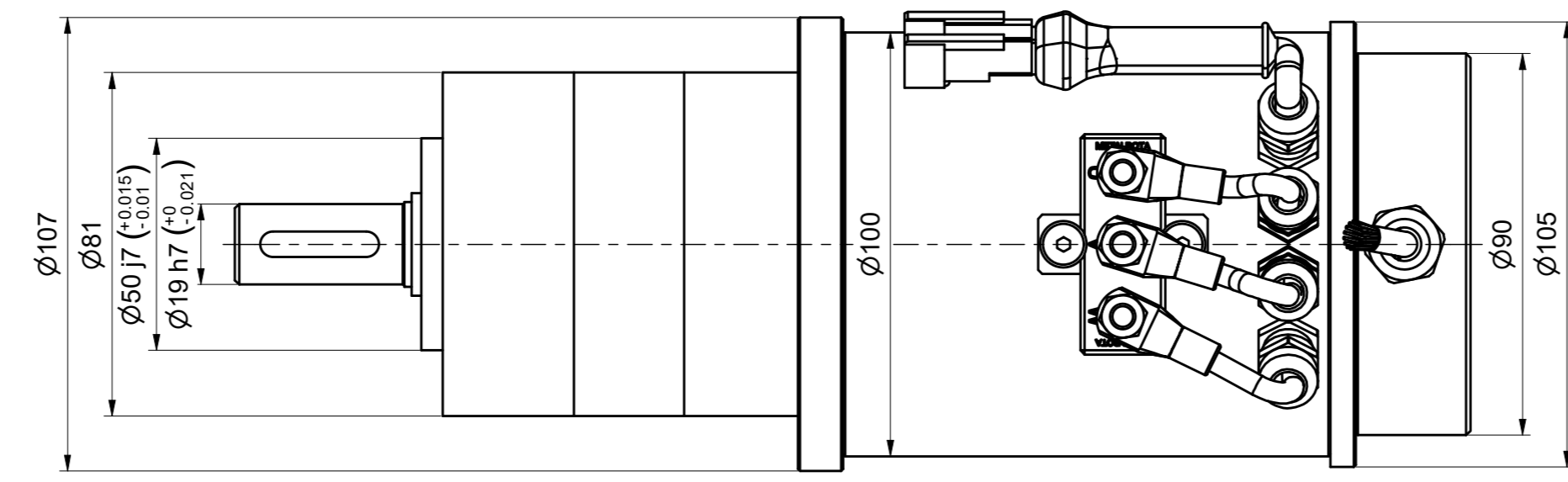
Speed sensor

Thermal sensor KTY 84/130  
Plug AMP Automotive Superseal 1.5  
Series P2 282104-1



N°4 Holes M6 at 90°  
Useful 12 mm

ctrg. DIN 332 - D M6  
Useful 16 mm



Dimensions	PM81		
	1 Stage	2 Stages	3 Stages
A	59.9 ±0.5	81.6 ±0.5	103.3 ±0.5
B	267.9	289.6	311.3