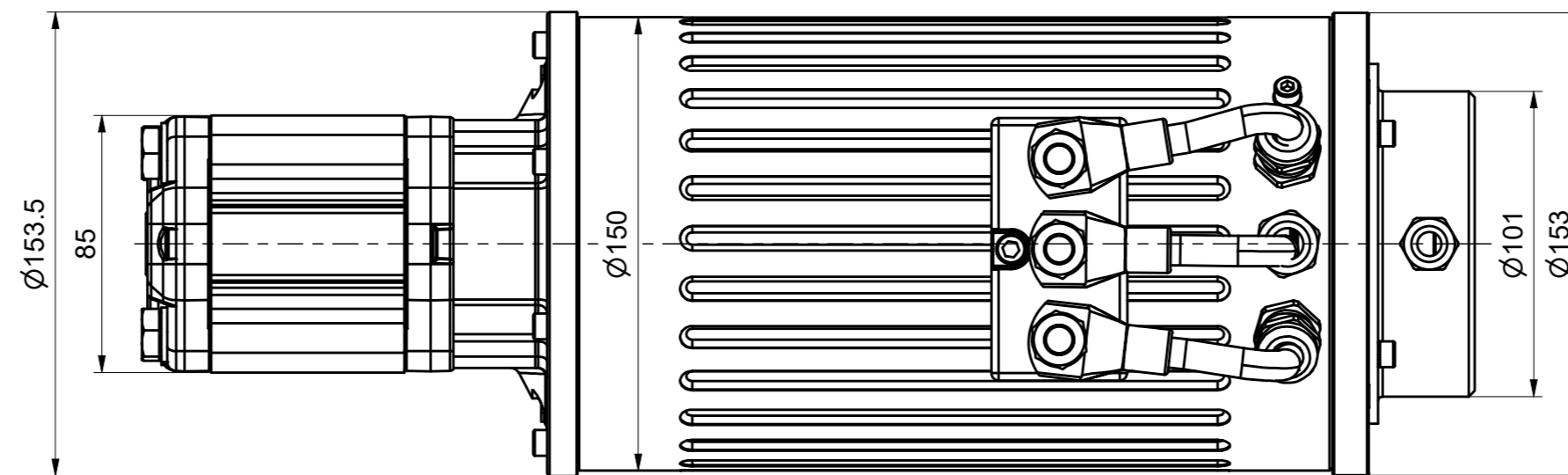
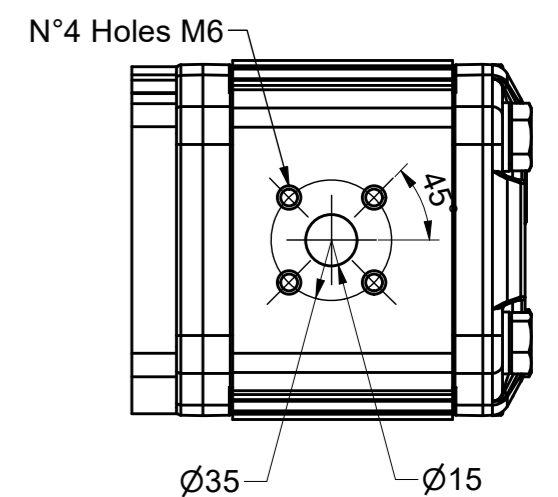
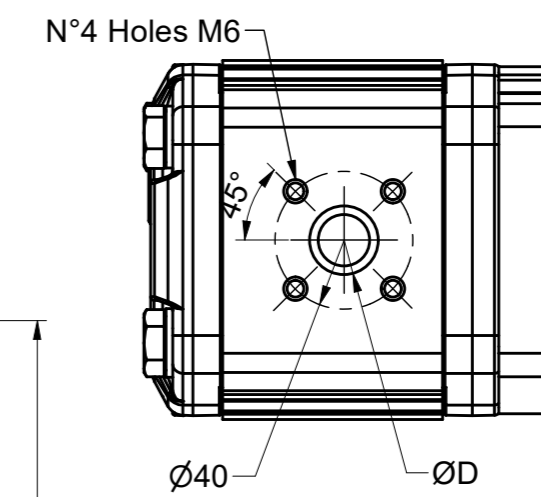


View from "A"
INLET

View from "B"
OUTLET



Displacement [cm ³ /rev]	Flow (at 1500 rpm) [litres/min]	Max pressure			Max speed [rpm]	Dimensions			
		p _{continuous} [bar]	p _{intermittent} [bar]	p _{peak} [bar]		A [mm]	B [mm]	C [mm]	D [mm]
4.5	6.4	250	270	290	4000	91	37.3	394	15
6.4	9.1	250	270	290	4000	94	38.5	397	15
8.3	11.8	250	270	290	4000	97	45.8	400	15
9.6	13.7	250	270	290	4000	99	40.6	402	20
11.5	16.4	230	250	270	4000	102	45	405	20
14.1	20.1	230	250	270	4000	106	45	409	20
16.0	22.8	210	225	240	4000	109	45	412	20
21.1	30.1	180	195	210	3400	117	45	420	20
23.7	33.7	180	195	210	3000	121	52.5	424	20