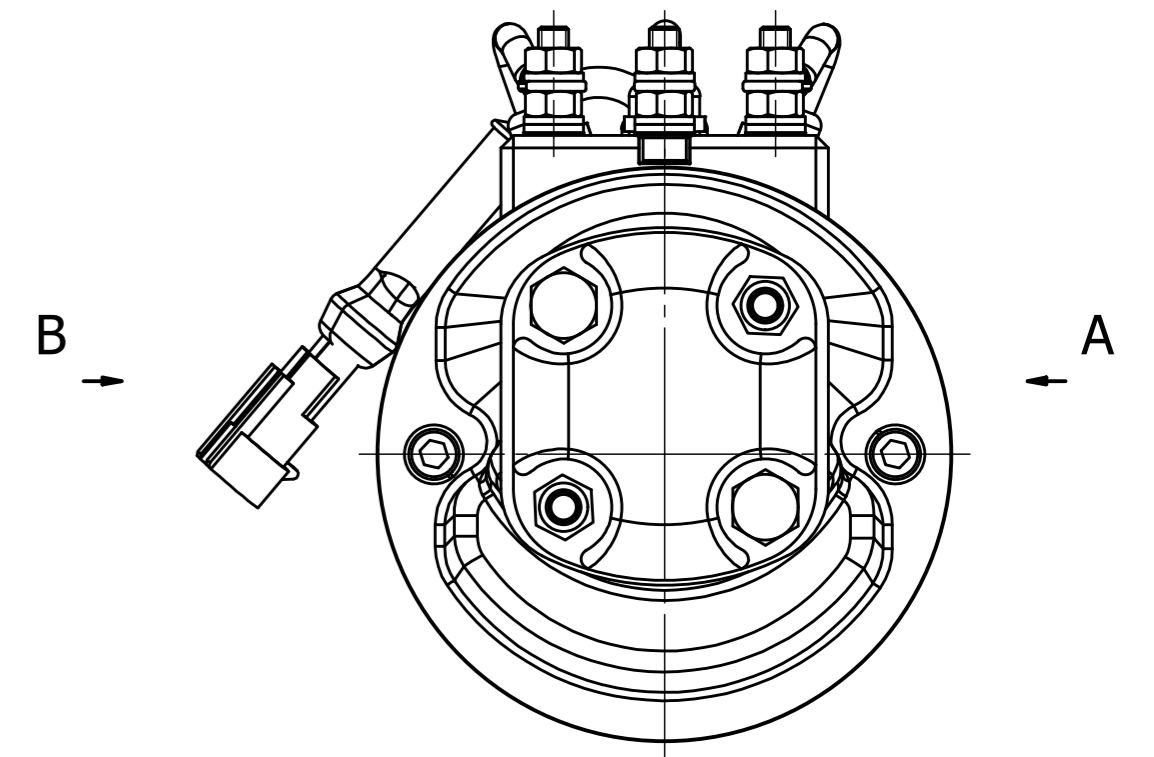
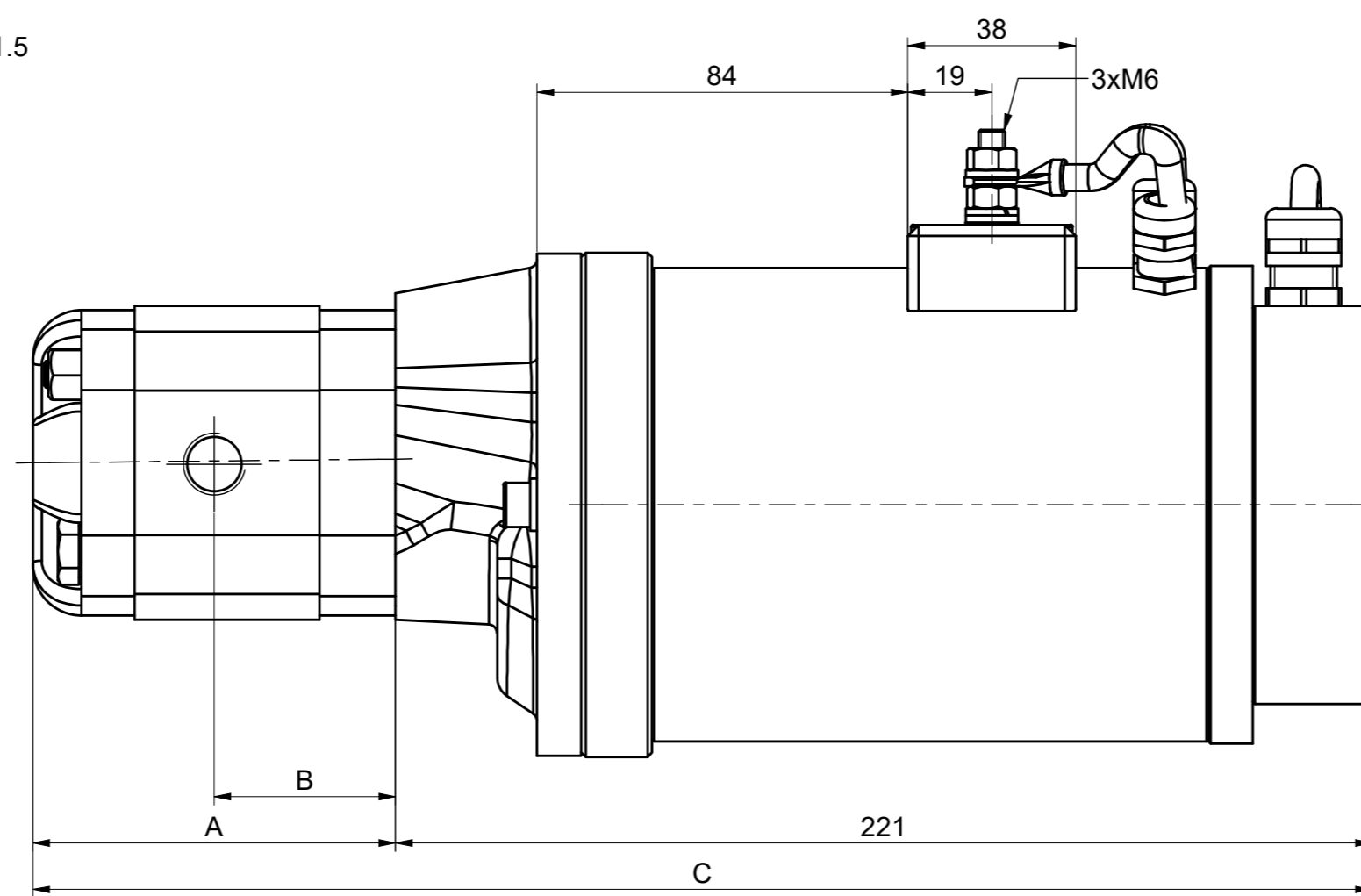
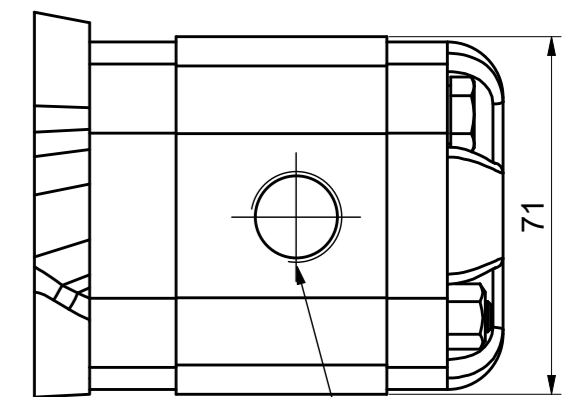
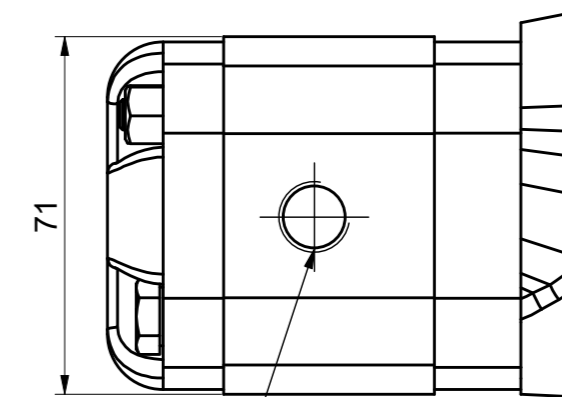


Thermal sensor KTY 84/130
Plug AMP Automotive Superseal 1.5
Series P2 282104-1



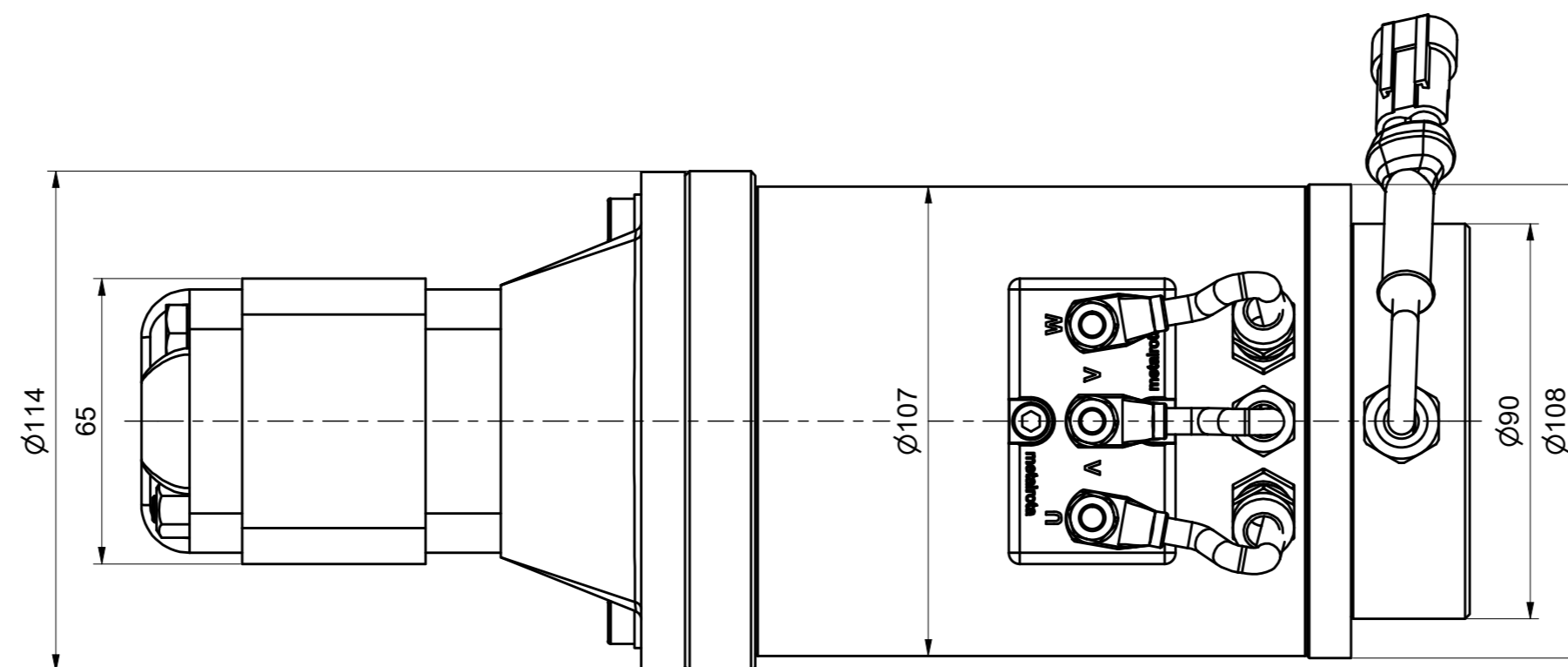
View from "A"
OUTLET

View from "B"
INLET



M14x1.5

M18x1.5



Displacement [cm ³ /rev]	Flow (at 1500 rpm) [litres/min]	Max pressure			Max speed [rpm]	Dimensions		
		p _{continuous} [bar]	p _{intermittent} [bar]	p _{peak} [bar]		A [mm]	B [mm]	C [mm]
1.1	1.6	230	250	270	6000	76	35	270
1.6	2.4	230	250	270	6000	78	36	272
2.1	3.2	230	250	270	6000	80	37	274
3.2	4.8	210	230	250	5000	84	39	278
3.7	5.6	210	230	250	4500	86	40	280
4.2	6.4	210	230	250	4000	88	41	282
5.8	8.7	190	210	230	3000	94	44	288
8.0	11.9	160	180	200	2100	102	48	296