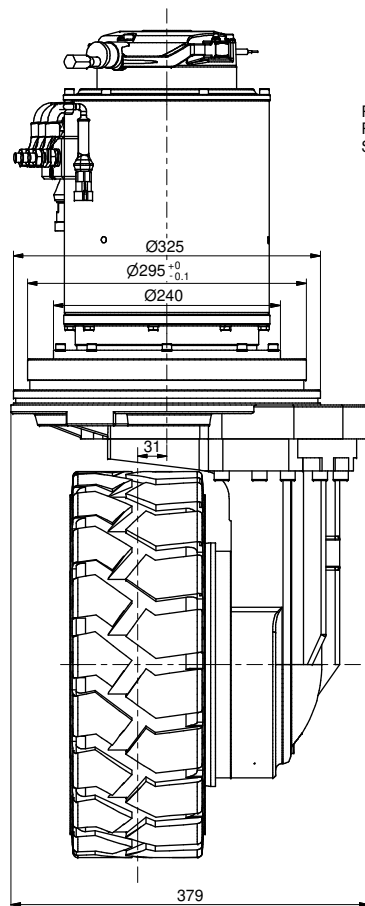
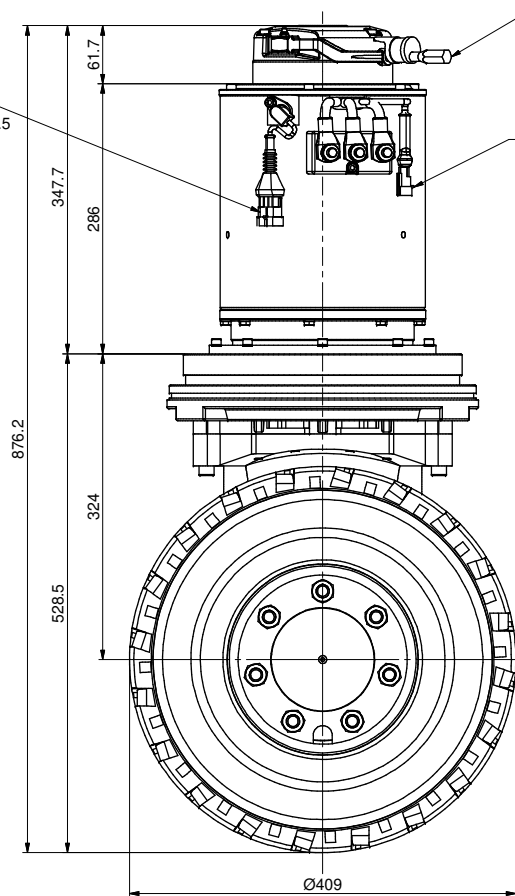


# DRIVE WHEEL

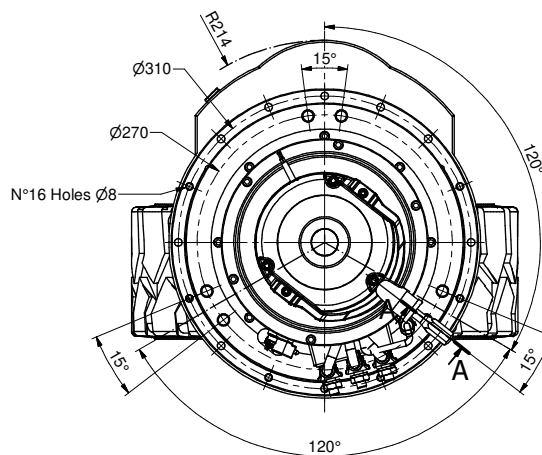
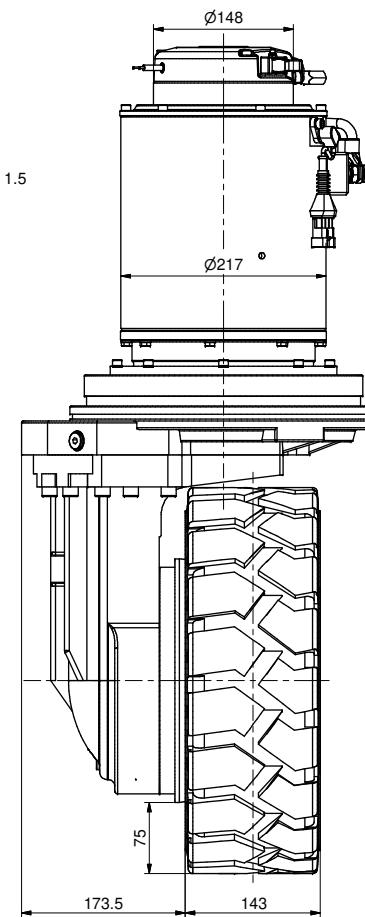


Radial sensor 64 PPR  
Plug AMP Automotive Superseal 1.5  
Series P4 282106-1



Brake 64Nm  
with hand release  
and lever locking

Thermal sensor KTY 84/130  
Plug AMP Automotive Superseal 1.5  
Series P2 282104-1



### Sez. A-A

