

Company Name: _____ Country: _____
 E-mail: _____ Telephone: _____
 Main contact: _____

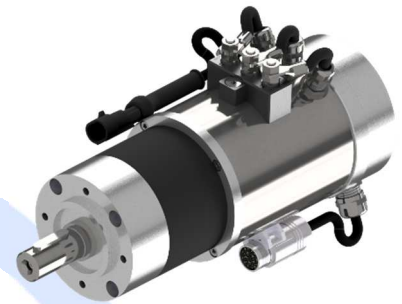
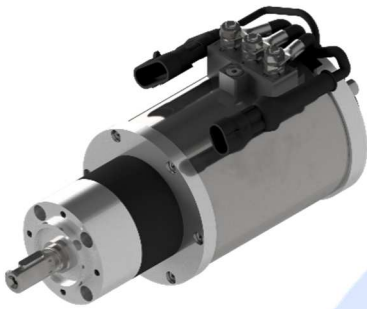
GEARMOTOR REQUEST FORM

Type of technology:

AC

DC

PMAC SYNCHRO



Speed sensor (ppr): _____

- Permanent magnets
 Separately excited
 Series wound 4 terminals
 Shunt wound

Sensor:

- Sin/Cos
 Resolver
 Incremental encoder + Hall cells

Application type:

- Lifting Steering Traction Special

Gear motor technical data:

Power (W): _____	Voltage (V): _____
Output speed (rpm): _____	Max speed (rpm): _____
Output torque (Nm): _____	Peak torque (Nm): _____
Max radial load (N): _____	Max axial load (N): _____

Duty cycle:

Short service Service time (min): _____

Shifts Service (%): _____

Cyclic service Service time (min): _____ Resting time (min): _____

Environment and required IP:

Max gear motor length (mm): _____ Max gear motor diameter (mm): _____

E/m brake voltage (V): _____ E/m brake release lever: Yes No

Plan:

Prototype Q.ty: _____ Series Q.ty: _____ / year

