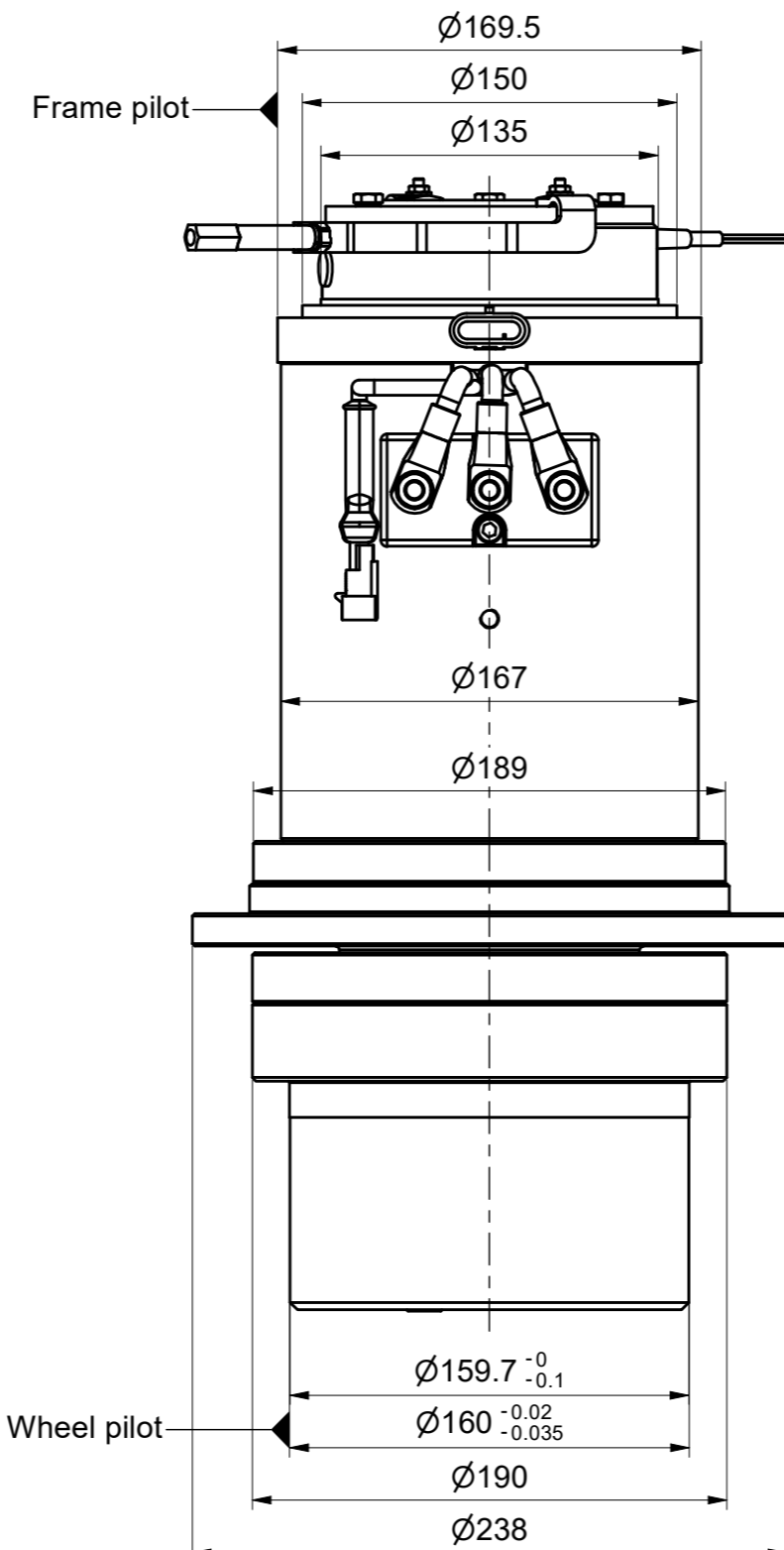
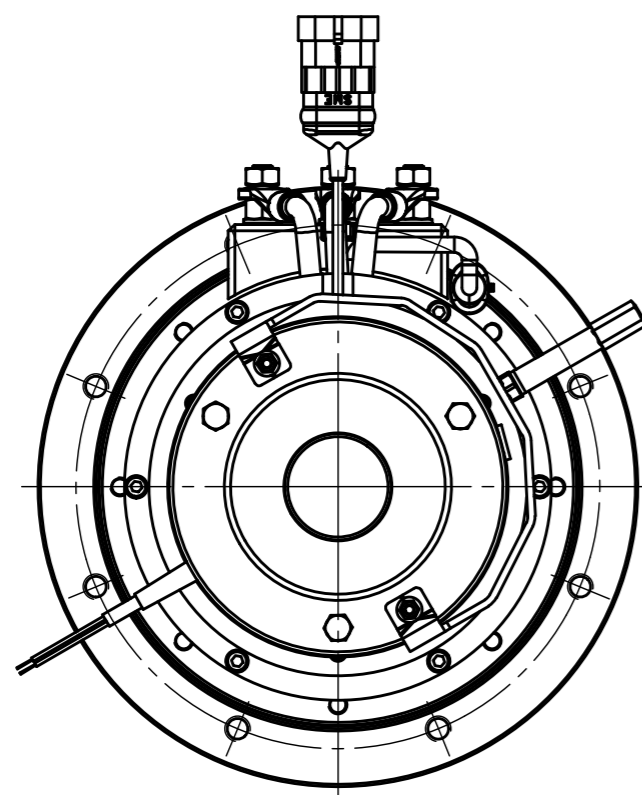


View from "A"



Bearing static load rating C1=C2= 190 kN
Bearing dynamic load rating C1=C2= 154 kN

Gear Technical Data		
Reduction ratio	i	30.33:1
Permitted output torque	Nm	1800
Max radial load	kg	2300
Lubrication		Oil
Brake torque	Nm	20