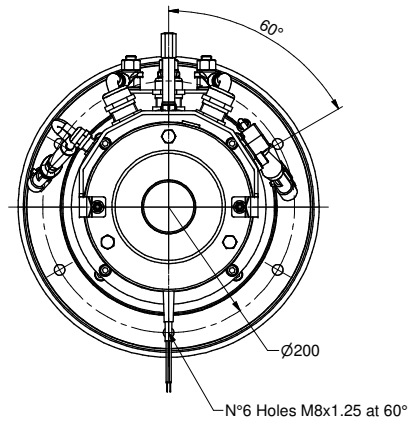
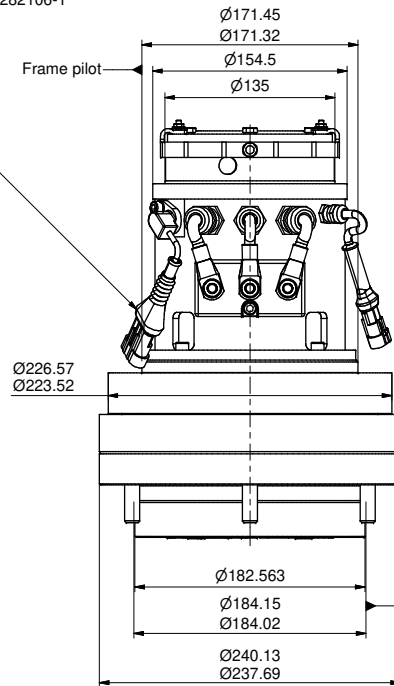


View from "A"



Radial sensor 48 PPR
Plug AMP Automotive Superseal 1.5
Series P4 282106-1



View with assembled wheel

