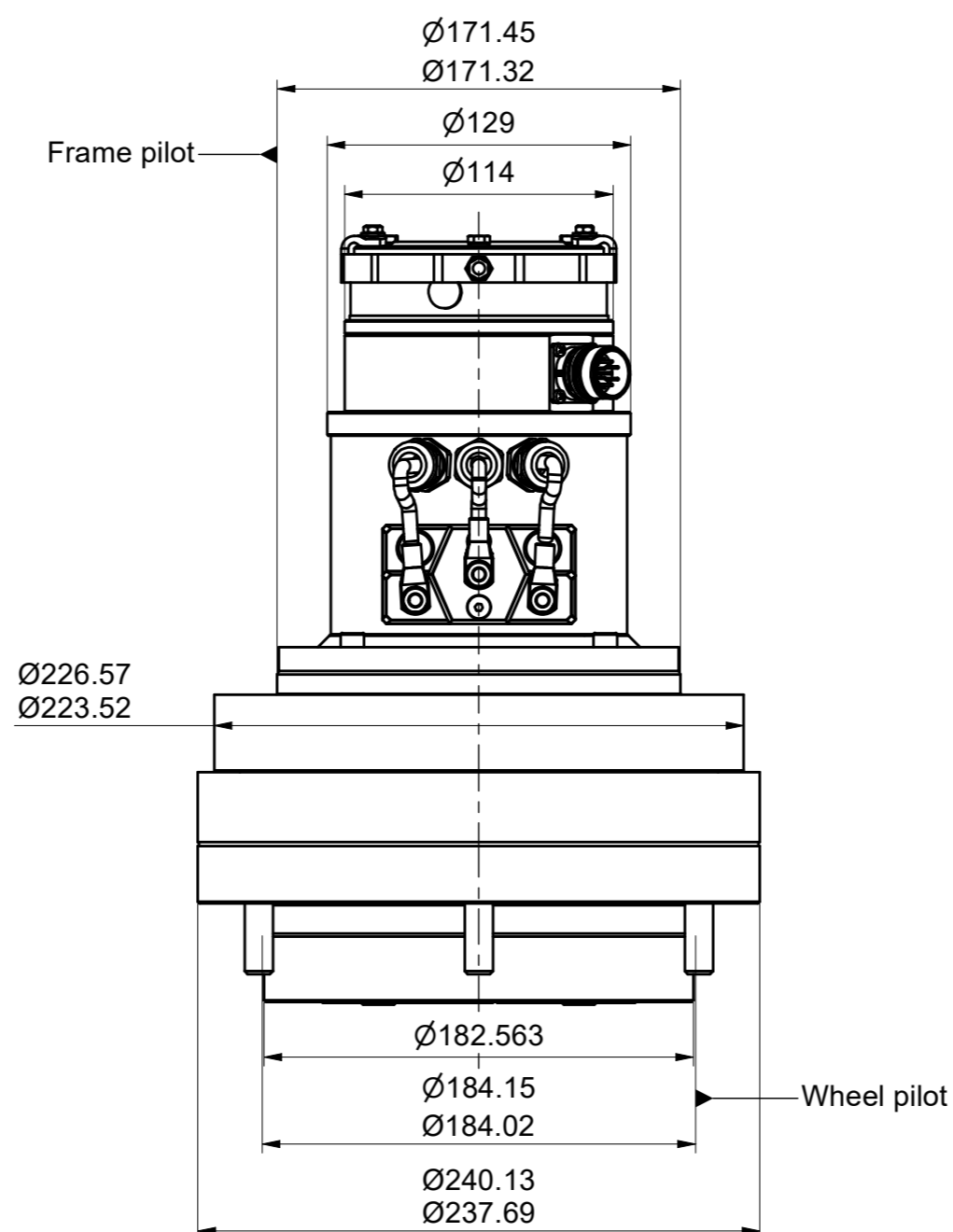
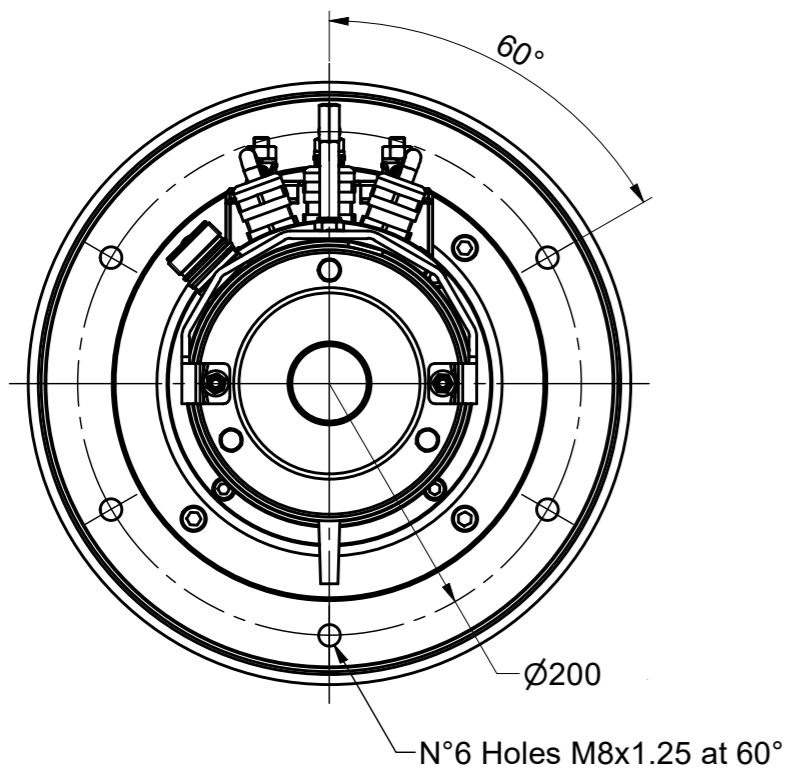
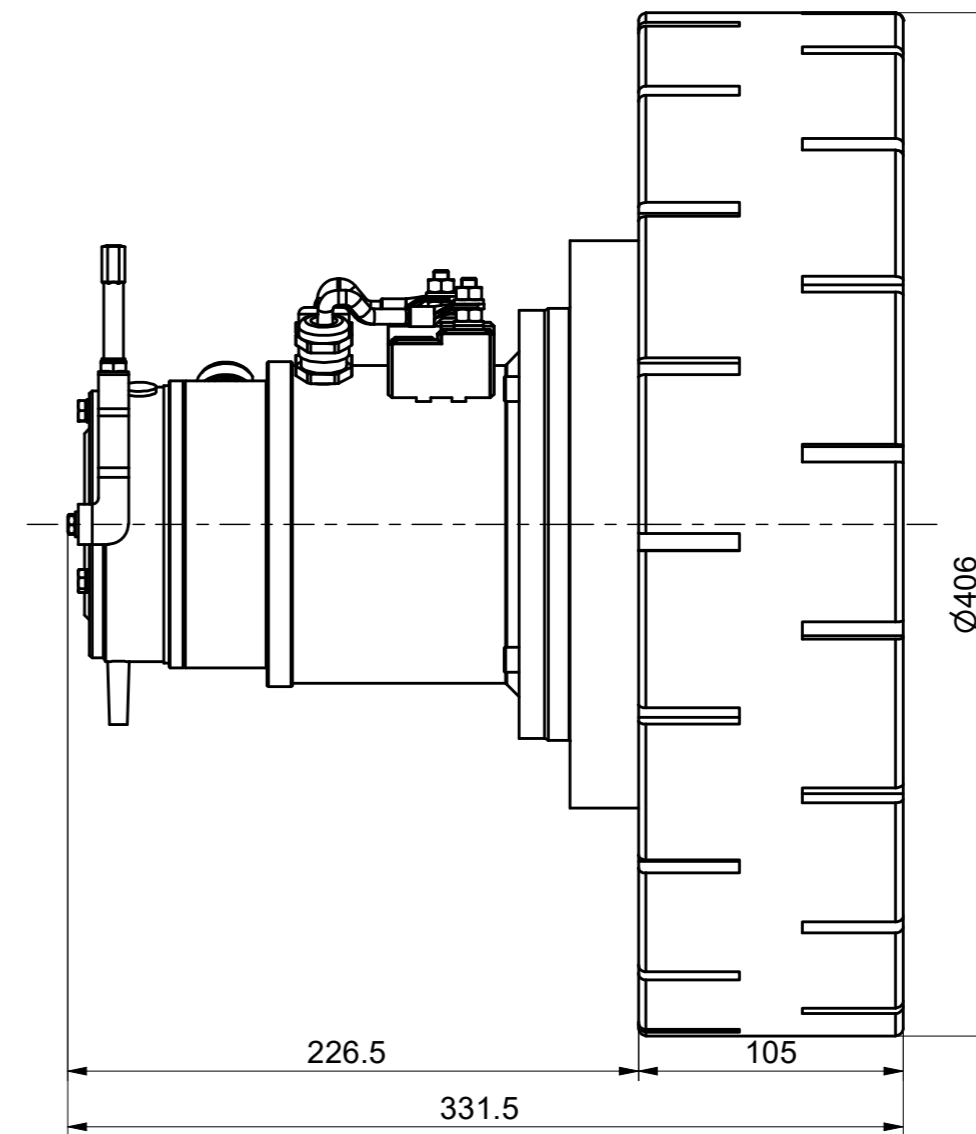


View from "A"



View with assembled wheel



Gear data		
Reduction ratio	i	45.13:1
Output torque ratings		
Continuous	Intermittent	
500 Nm	1000 Nm	
Lubrication type	Oil	
On most horizontal applications fill half full with 90 weight gear oil with ep additives.		
Weight	kg	26

Types of wheels available		
Dimensions and max loads		
Ø350x105 mm 1000 kg	406x105 mm 1200 kg	
Wheels material	Rubber	
Tread available	Smooth	
	Grooved	
Hardness	Sh	75
Other materials, hardness, dimensions and tread of wheels are available on request.		