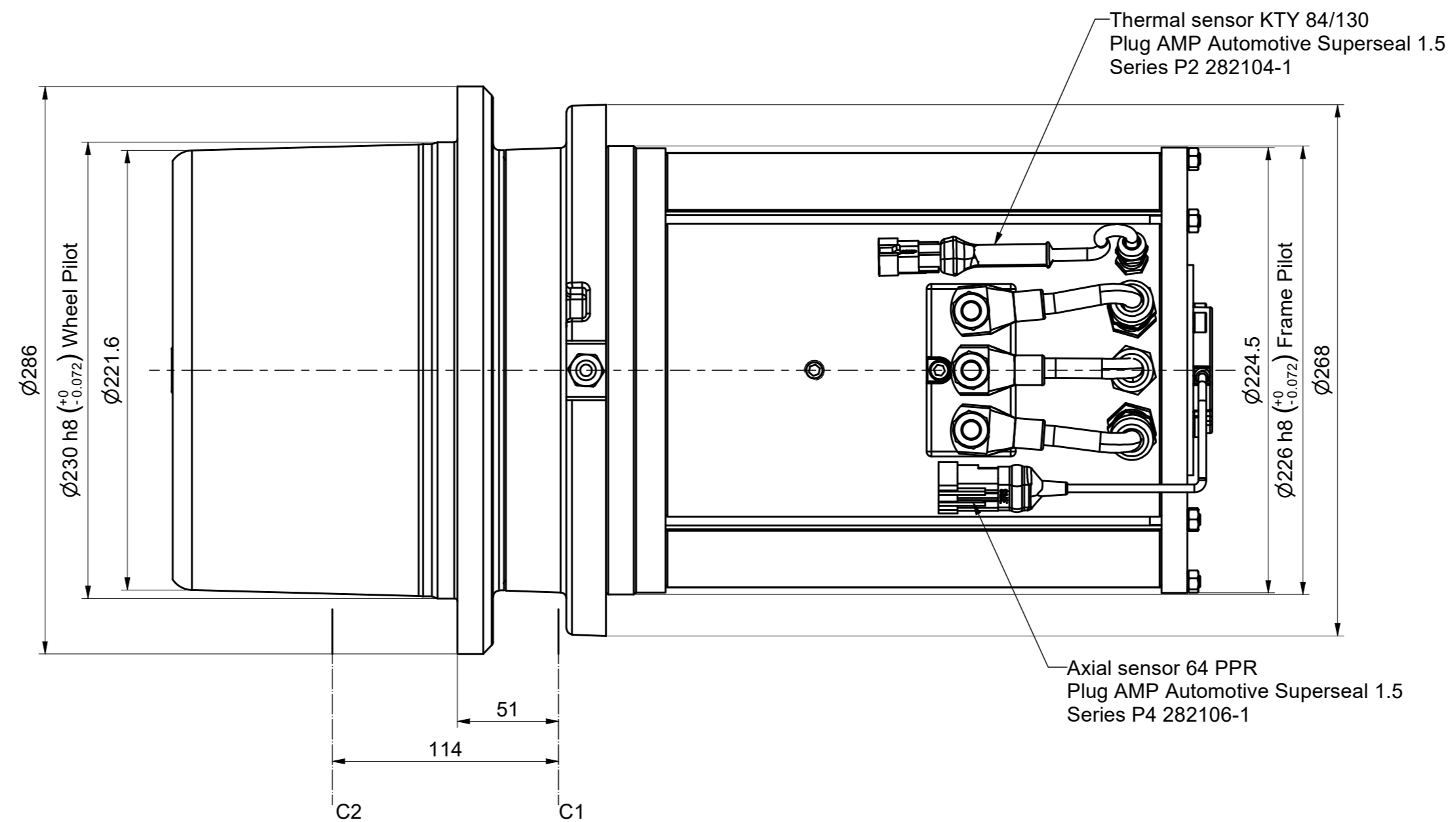


NOTE: This Diagram is valid for radial load only (not combined with Axial loads)



Gear Technical Data		
Reduction ratio	i	1:53
Permitted output torque	Nm	8000
Max radial load	N	85000
Max axial load	N	
Lubrication		Oil
Brake torque	Nm	