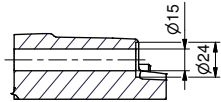


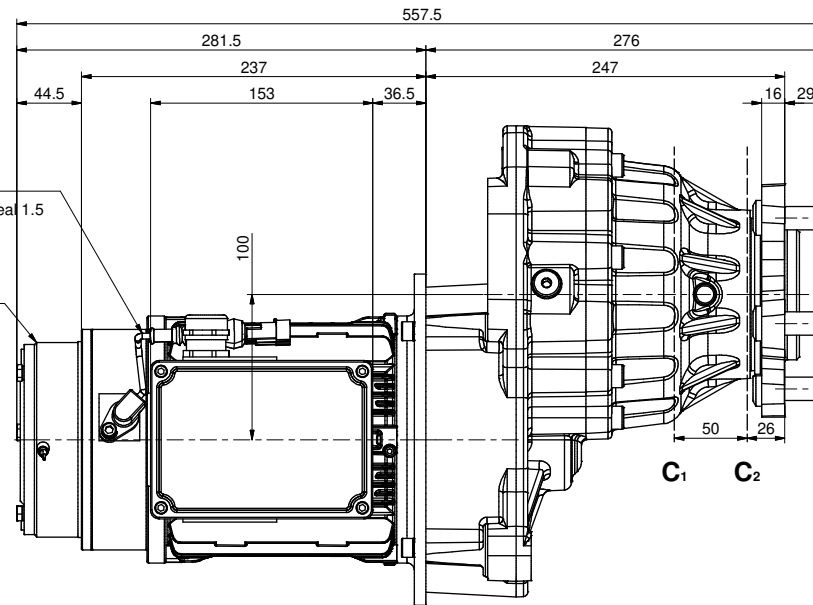
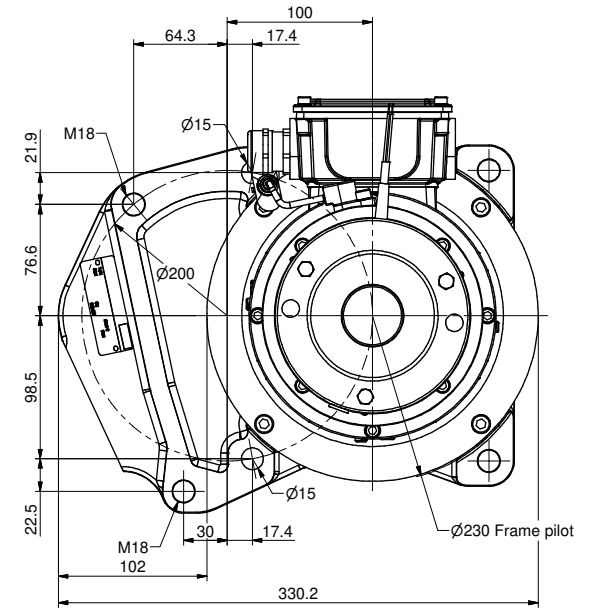
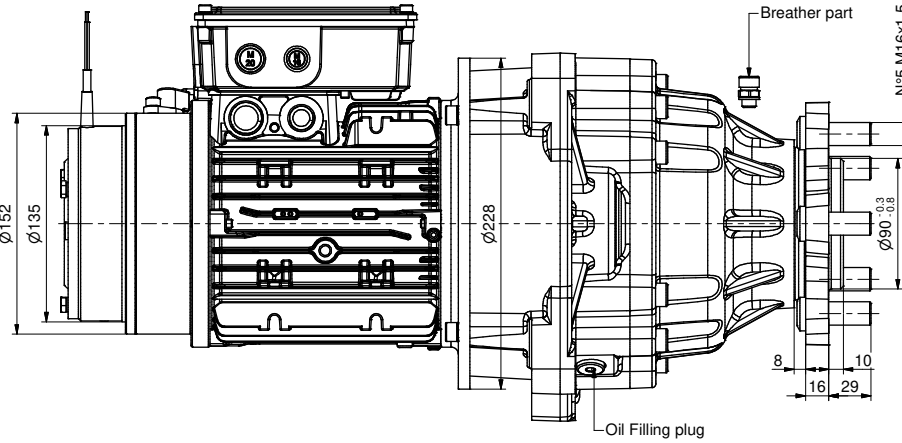
N°2 Holes M18
Useful 11

Section B-B



Radial sensor 48 PPR
Plug AMP Automotive Superseal 1.5
Series P4 282106-1

e/m brake 20 Nm
IP65



RADIAL LOAD DIAGRAM

