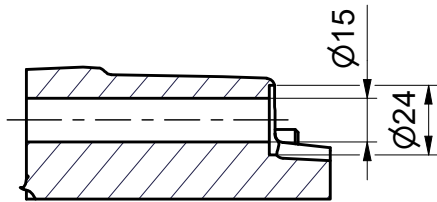


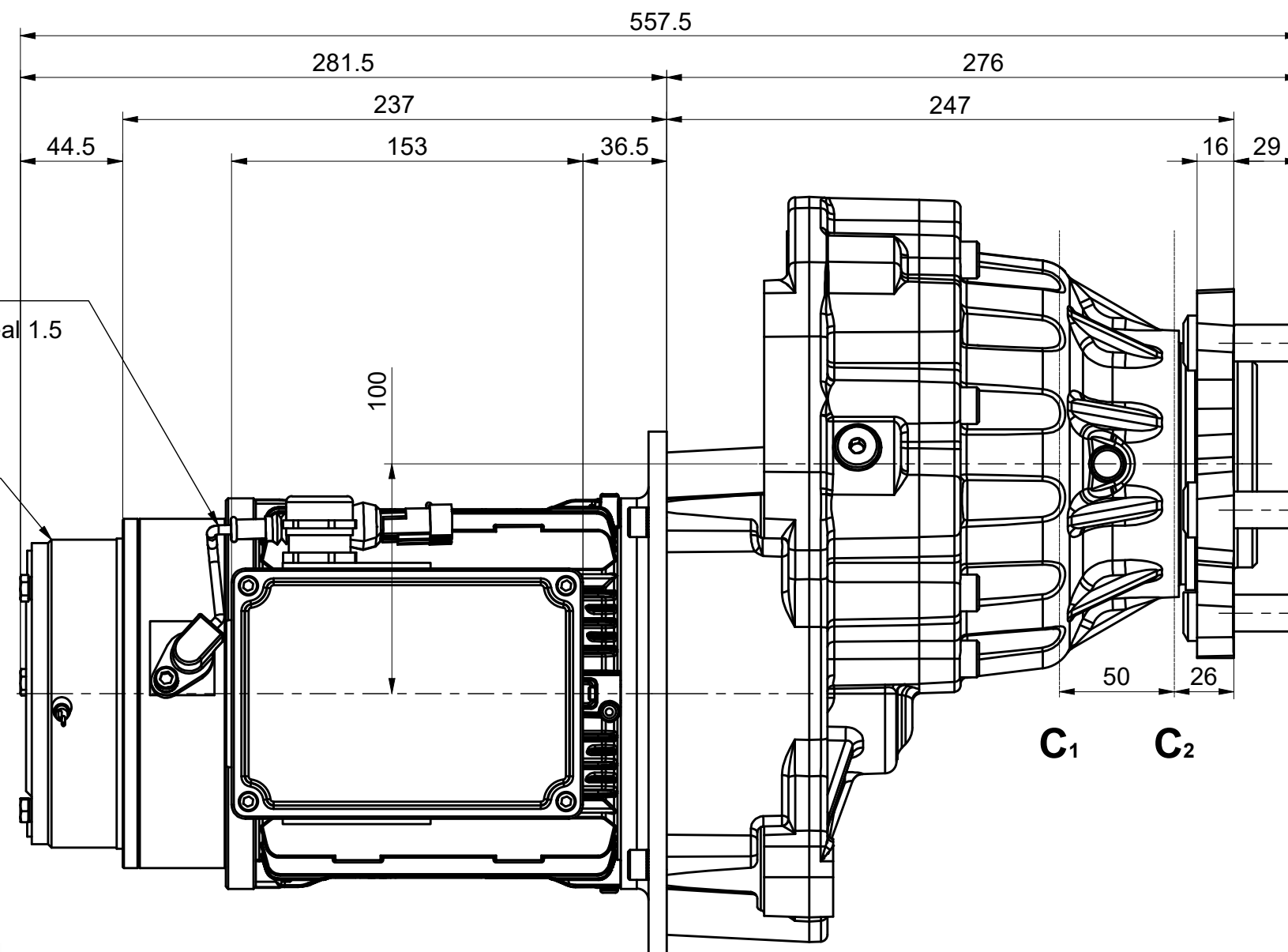
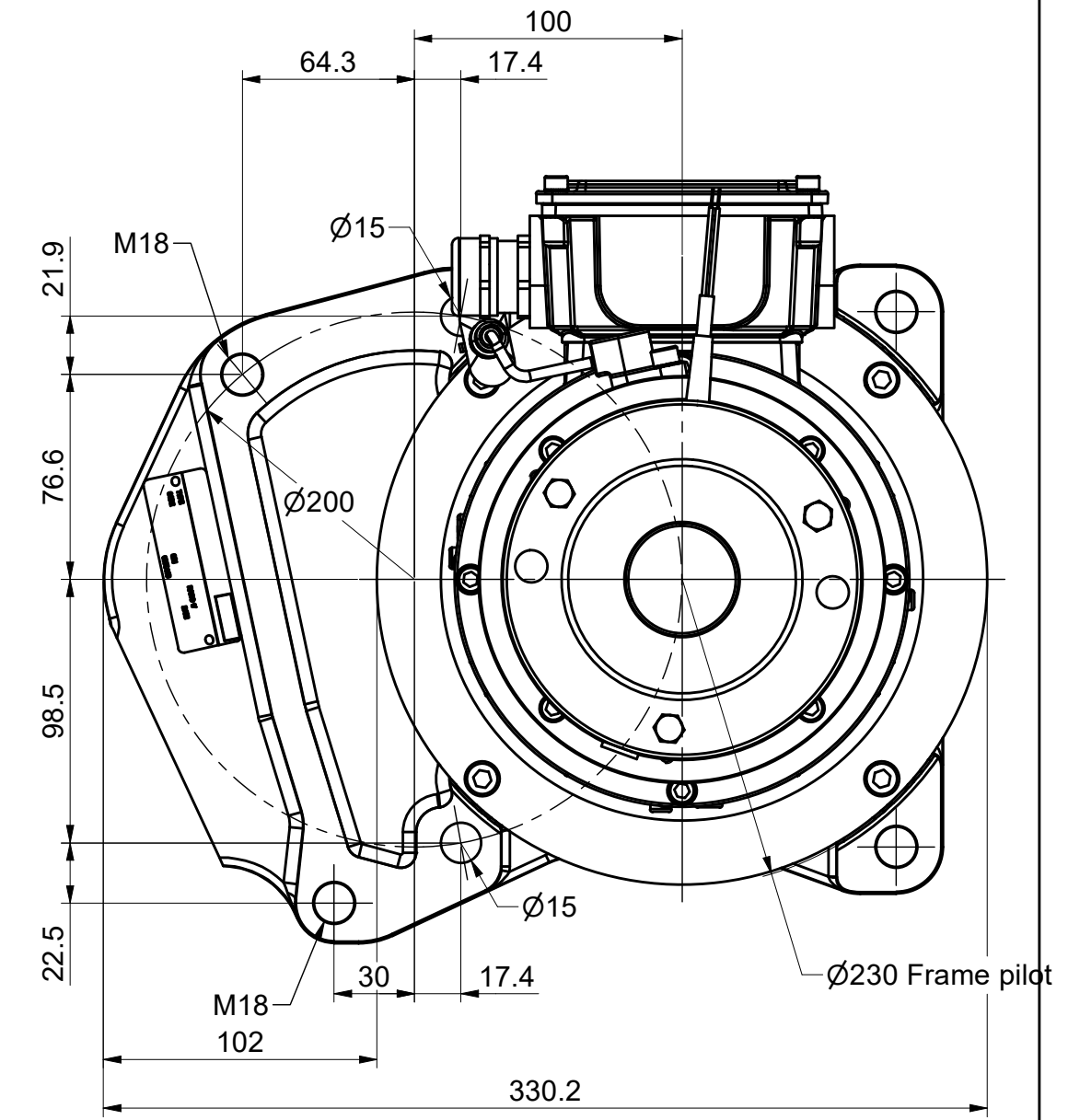
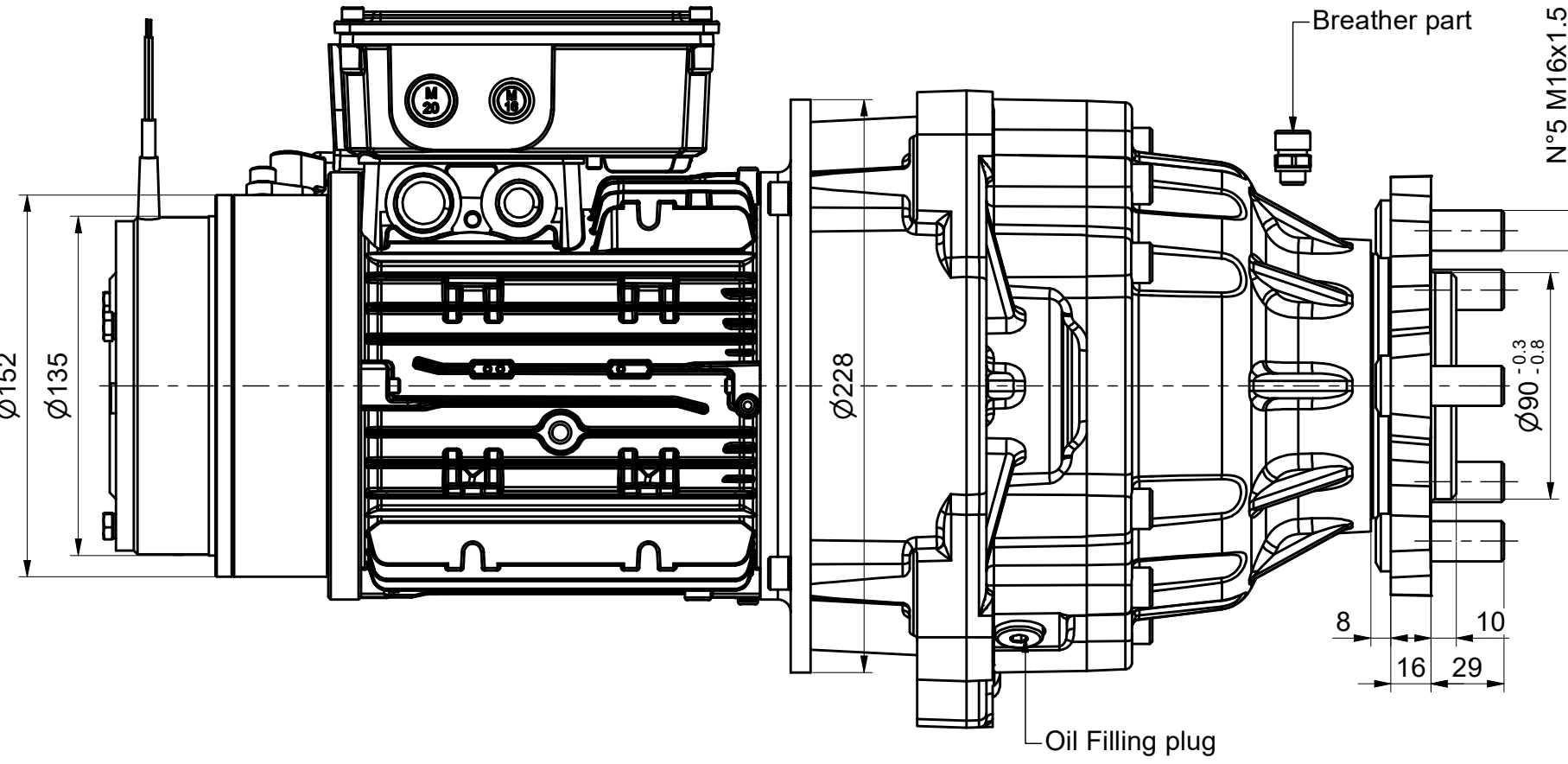
N°2 Holes M18  
Useful 11

Section B-B

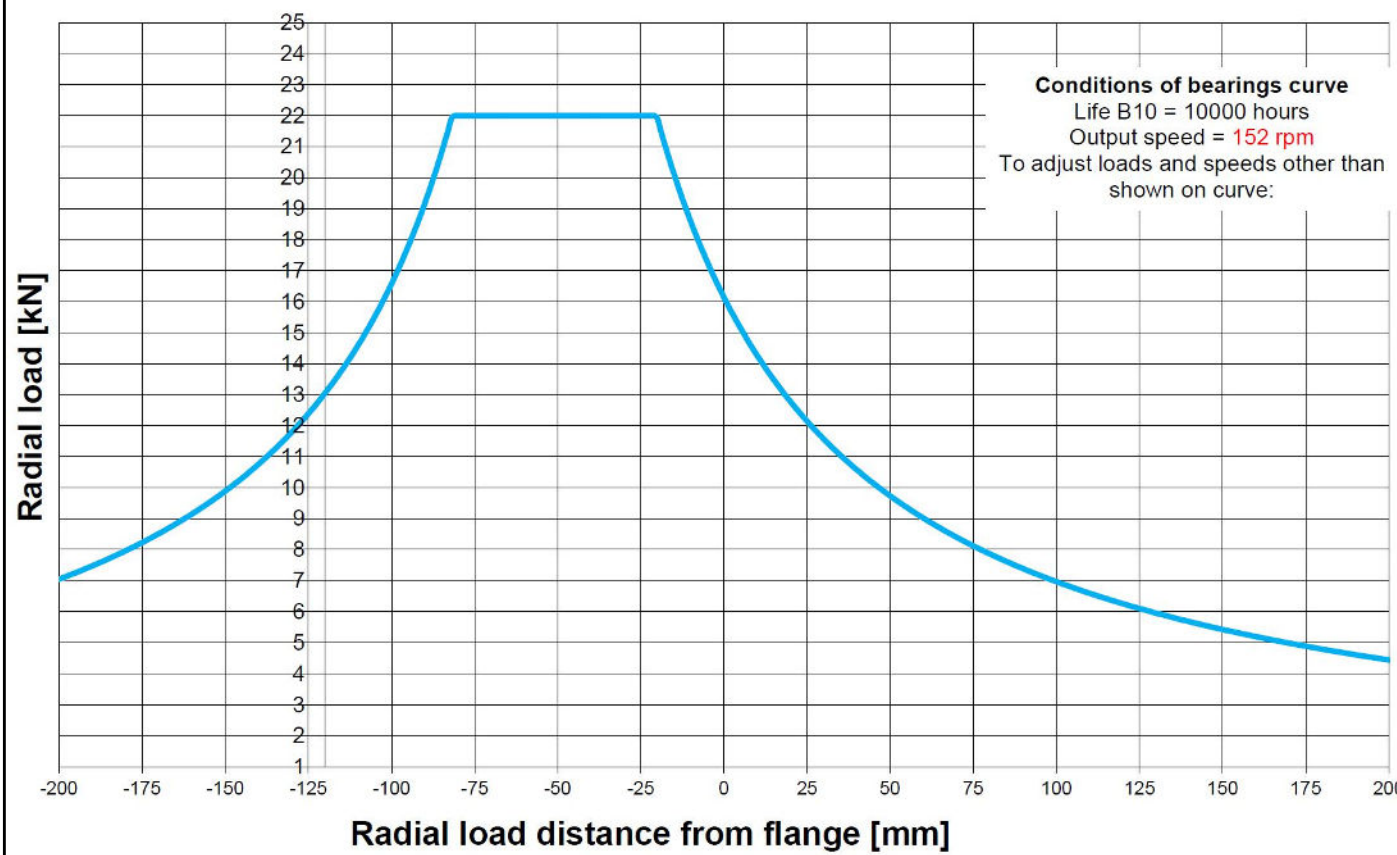


Radial sensor 48 PPR  
Plug AMP Automotive Superseal 1.5  
Series P4 282106-1

e/m brake 20 Nm  
IP65



**RADIAL LOAD DIAGRAM**



**Gear Technical Data**

Reduction ratio	i	1:41.7
Lubrication type		Oil
Oil quantity	lt	0.5±10%