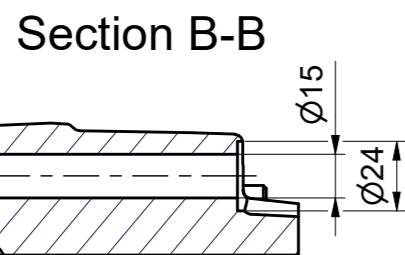
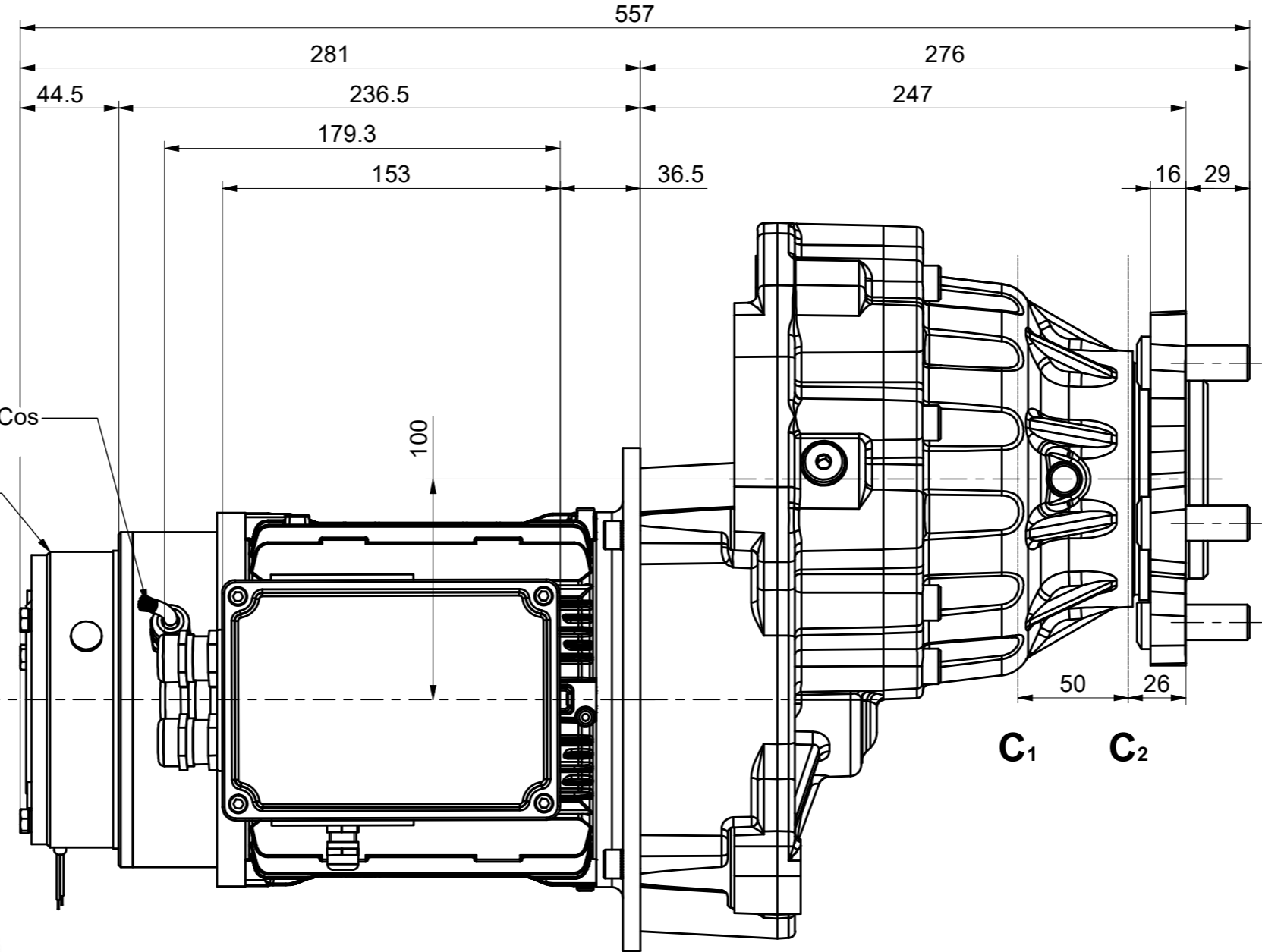
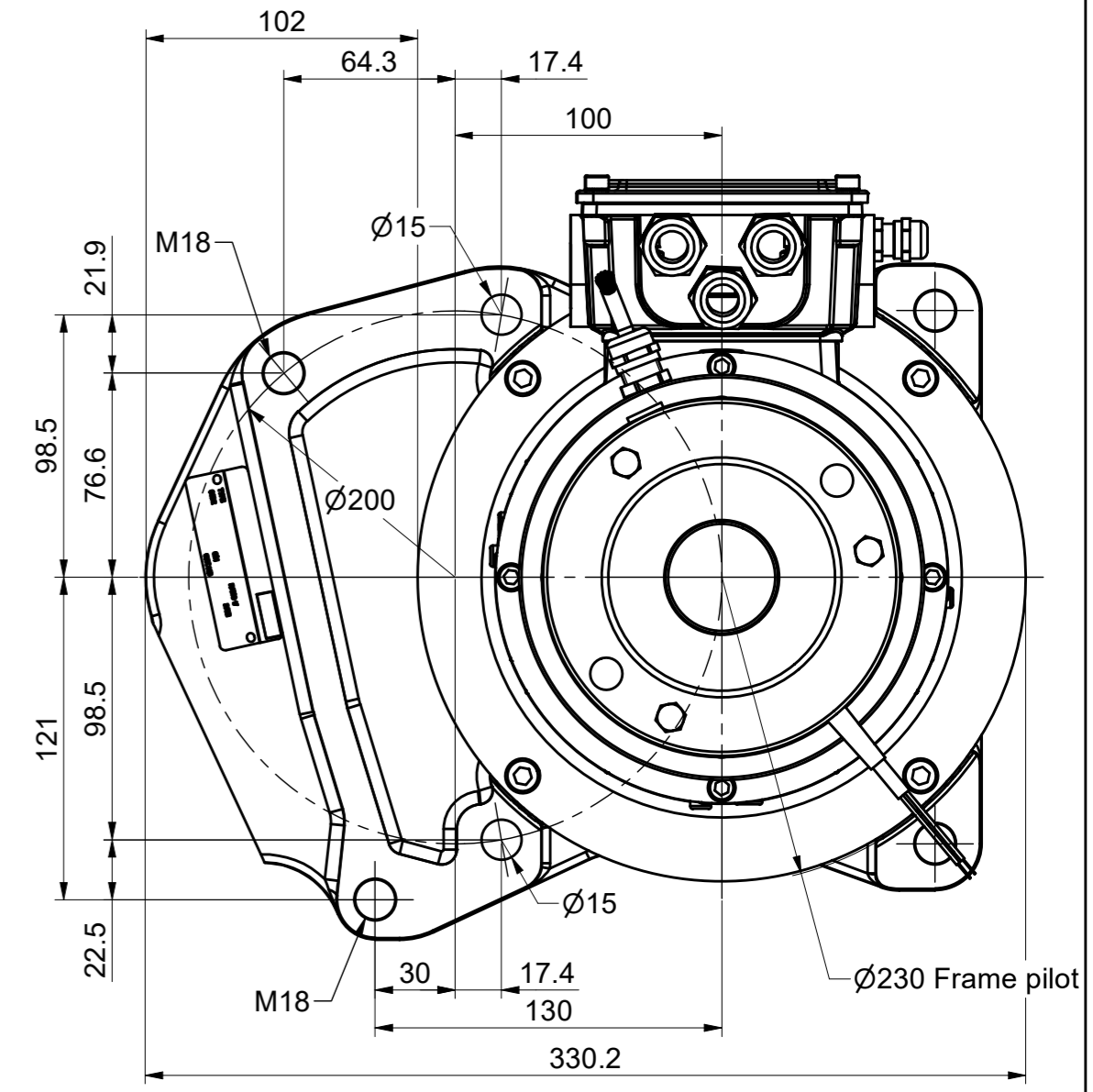
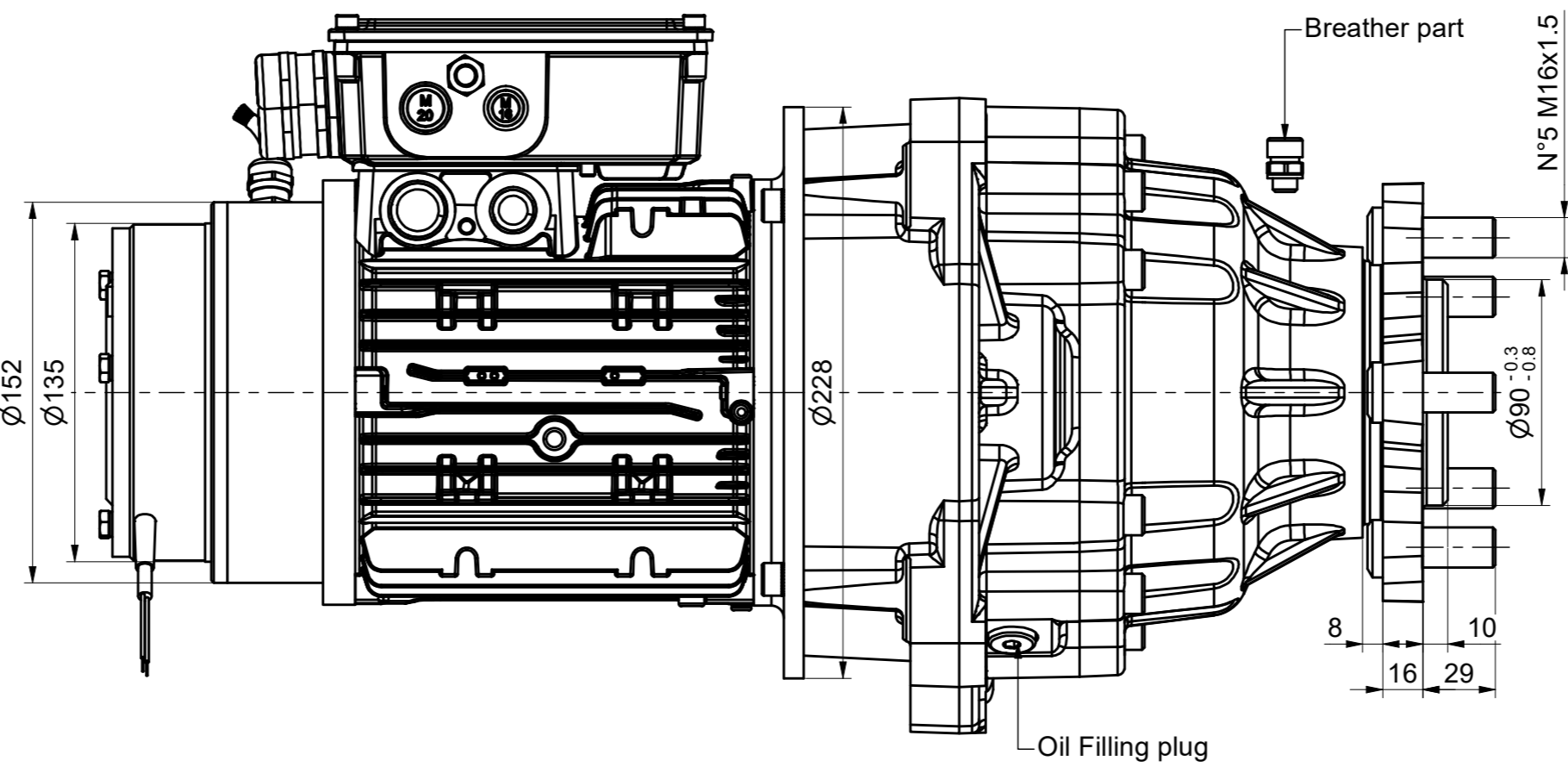
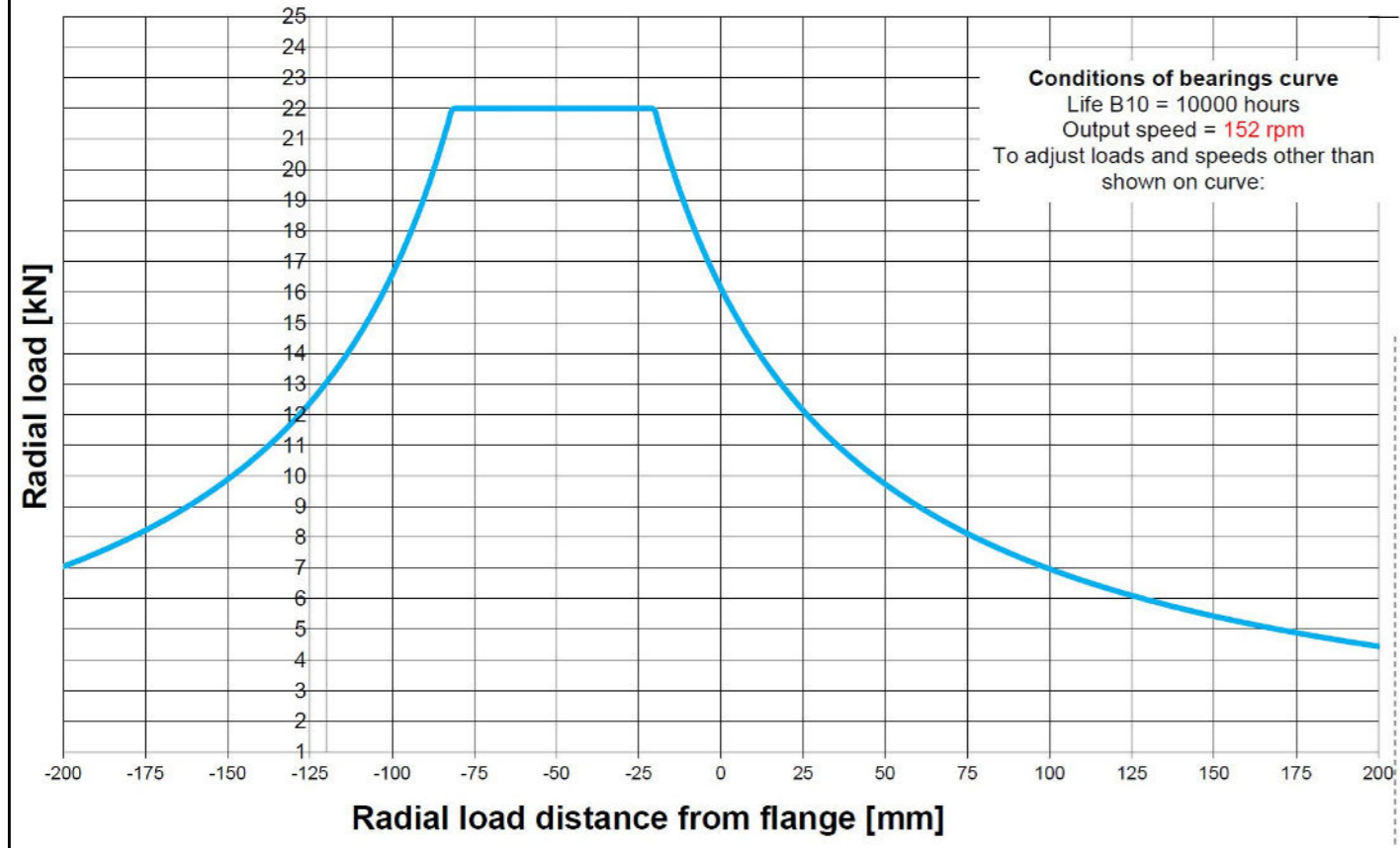


N°2 Holes M18  
Useful 11



**RADIAL LOAD DIAGRAM**



Gear Technical Data		
Reduction ratio	i	1:41.7
Lubrication type		Oil
Oil quantity	lt	0.5±10%