

Company Name: _____

Country: _____

E-mail: _____

Telephone: _____

Main contact: _____

MOTORPUMPS REQUEST FORM

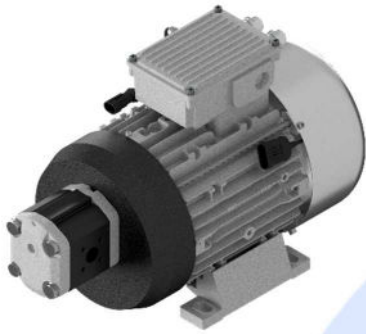
Type of technology:

AC

DC

PMAC SYNCHRO

IPM



Speed sensor (ppr): _____

- Permanent magnets
 Series wound 4 terminals
 Series wound 2 terminals
 Compound wound

Sensor:

- Sin/Cos
 Resolver
 Incremental encoder + Hall cells

Application type:

- Lifting Steering

Motorpumps technical data:

Power (W): _____

Voltage (V): _____

Rate of flow (l/min): _____

Pump displacement (cm³/rev): _____

Nominal pressure (bar): _____

Max pressure (bar): _____

Duty cycle:

Short service Service time (min): _____

Shifts Service (%): _____

Cyclic service Service time (min): _____ Resting time (min): _____

Environment and required IP: _____

Pressure relief valve: Yes No

Max motorpump lenght (mm): _____

Max motorpump diameter (mm): _____

Clamp

Foot



Plan:

Prototype

Q.ty: _____

Series

Q.ty: _____ / year



Via Bulgaria, 46 – 41122 Modena (MO) – Italy
Tel. +39 059 315204 Fax. +39 059 450439
E-mail: info@metalrota.it
Web site: www.metalrota.it

Any other information about the project:

Lined area for providing additional information about the project. A large, faint watermark of the Metalrota logo is visible in the center of this section.